

Quicke

IMPLEMENTS

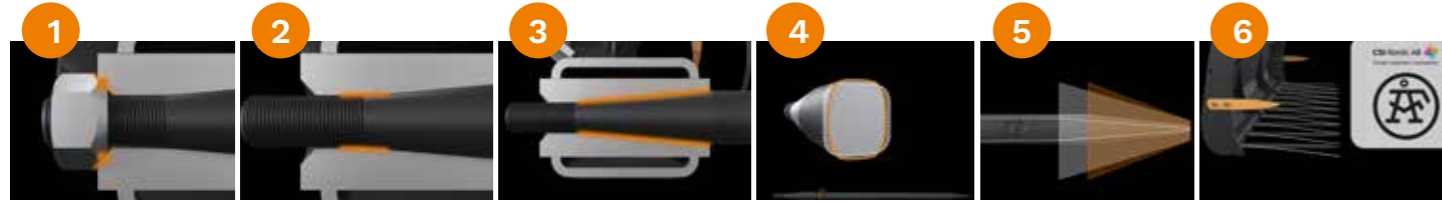
FOR FRONT / YARD / COMPACT / WHEEL
LOADERS AND TELEHANDLERS



QUICKE TINES

We use our own tines.

Forged tines feature high quality, replaceable 500 HB bolt on forged tines. Our own forged tines are called Q-tines and are available in straight or curved versions.



1. Sleeve chamfer and nut in complete match for perfect fit
2. Perfect ramp between thread and cone for longer lifetime
3. Perfect match between sleeve and tine for longer lifetime
4. Semi-rounded shape for optimal performance
5. Shorter tip for increased wear resistance
6. Thoroughly tested in lab and field to achieve the superiority of the Q-tine

We also offer hardened welded profile cut tine in straight or curved.

Profiled tines are 400 HB cut tines welded in tine carriage providing excellent wear capabilities.



FRONT LOADERS



WHEEL LOADERS



TELEHANDLERS



YARD LOADERS



SKIDSTEERS



COMPACT TRACTOR LOADERS

GET MORE WORK DONE IN LESS TIME WITH Q-COMPANION®



SAVE TIME

SelectoFix is a great time saving option if the front loader has a third or a fourth service. With a simple movement, the implement hoses are coupled, easily and without any problems, even when the system is pressurised. Your work continues within seconds. The connections are easy to clean, reducing the risk of dirt finding its way into the tractor's hydraulic system.



CONTENTS

| | | | | | |
|----------------------------------|-------------|----------------------------------|--------------|---|--------------|
| BUCKETS | 4-27 | Grading Bucket | 26 | BALE FORKS | 39-44 |
| Buckets Overview | 4-5 | Grading Bucket S | 26 | Bale Fork XL+ 200 | 40 |
| Hook Systems & accessories | 6-9 | Precision Bucket | 26 | Bale Fork L 200 | 42 |
| Bucket Type S | 10-13 | Stone Fork XL+ | 27 | Bale Fork L+ 150 (fixed tines) | 42 |
| SXL+ | 12 | Stone Fork M+ | 27 | Bale Fork L+ 150 (folded tines) | 42 |
| SL+ | 12 | | | Bale Fork M 180 | 43 |
| SM+ | 12 | MANURE AND SILAGE | 28-35 | Bale Fork M 140 | 43 |
| SM | 12 | Powergrab XL+ | 29 | Bale Fork S+ 115 | 43 |
| Bucket Type G | 14-17 | Powergrab L+ | 29 | Bale Spike | 44 |
| GXL+ | 16 | Powergrab M+ | 29 | Silosplit | 44 |
| GL+ | 16 | Silocut XL+ | 30 | | |
| GM+ | 16 | Silocut L+ | 30 | LIFTING IMPLEMENTS | 45-49 |
| GM | 16 | Silocut M+ | 30 | Pallet Fork XL | 46 |
| GS+ | 17 | Multigrab M+ | 31 | Pallet Fork L | 46 |
| GS | 17 | Multigrab C for Compact Tractors | 32 | Pallet Fork M | 46 |
| Bucket Type V | 18-21 | Multibenne XL | 33 | Pallet Fork S | 47 |
| VXL+ | 20 | Multibenne M+ | 33 | Pallet Fork C | 47 |
| VL+ | 20 | Multibenne S+ | 32 | Big Bag Lifter | 48 |
| VL | 20 | Silograb XL | 34 | Tool Carrier Adaptor with Bolt on Hooks | 48 |
| VM | 20 | Silograb M+ | 34 | Fixed Tool Carrier Adaptors | 48 |
| VS | 21 | Silograb S+ | 34 | | |
| VS+ | 21 | Manure Fork XL | 35 | COUNTERWEIGHT | 49 |
| Compact & Utility Buckets | 22-23 | Manure Fork M+ | 35 | Q-Bloq Counterweight | 49 |
| U Bucket | 22 | | | Counterweight | 49 |
| Compact Bucket C with Euro | 22 | BALE HANDLING | 36-38 | | |
| Compact Bucket C with Skid Steer | 22 | Unigrip | 37 | THE SUPPORT | 51 |
| Special Buckets | 24-27 | Flexigrip | 37 | | |
| Multi Purpose Bucket | 24 | Flexibal | 37 | HOOKS SYSTEMS | 52 |
| High Tip Bucket XH M+ | 24 | Quadrogrip TS | 38 | | |
| Special Clearing Bucket SC M+ | 24 | Topgrip | 38 | | |
| Grading Bucket XL | 26 | | | | |



BUCKETS

EXACTLY THE RIGHT BUCKET

Quality and stability, productivity and safety: For Quicke, there are many good reasons – and now even more. We have improved our bucket range and are very proud to introduce the next generation! The adjacent matrix is a quick reference to the three basic types of bucket that are available and depending upon your needs, you will find the optimal solution: for all your individual loader requirements. Whether it's operating conditions, size, material type or a specialist bucket for all applications.

Simply choose Quicke – always the right choice.

OUR RANGE OF BUCKETS:



| | S | G | V |
|----------------------|------------------|--------------|--------------|
| Size & performance ↑ | | | |
| | SXL + | GXL + | VXL + |
| | SL + | GL + | VL + |
| | SM + | GM + | VL |
| | SM | GM | VM |
| | - | GS + | VS + |
| | - | GS | VS |
| | Type of bucket → | | |

Model with a + are available with Bolt on Hooks and accessories.

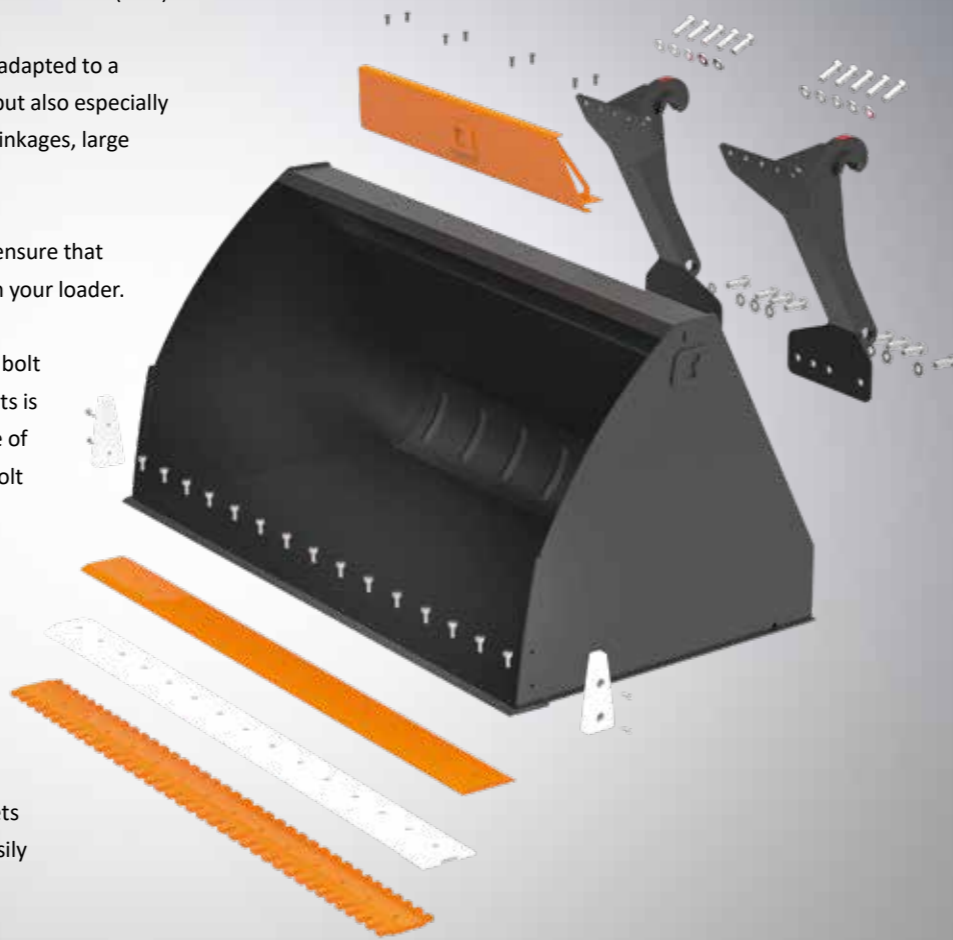
| BUCKET SIZES AND EXPLANATION | |
|------------------------------|---|
| XL Bucket | Wheel loaders and large telehandlers |
| L Bucket | Wheel loaders, telehandlers and big front end loaders |
| M Bucket | Front end loaders, compact wheel loaders and small telehandlers |
| S Bucket (small) | Yard loaders and small front end loaders |



ALWAYS THE BEST FIT

Whether it's a small yard loader or an agricultural wheel loader, you can be sure with our modular bucket range that you will always get the perfect fit and function for machine. With more than 60 bolt on hooks (BoH) available, Quicke offers a wide range of options for your loader. Our promise: Quicke always fits!

- ! Quicke offers both welded and bolt on types of hooks (BoH).
- ! Quicke offers a wide range of hook types, adapted to a wide range of loader brands and models, but also especially adjusted hooks to suit loaders with e.g. Z-linkages, large tyres and limited roll back angles.
- ! Quicke use "Cutting edge-technology" to ensure that your Bucket get perfect fit and function on your loader.
- ! Quicke offer easy assembly of all available bolt on cutting edges. The tightening of the bolts is done completely from the top without use of nuts as the threads are integrated in the bolt on cutting edge.
- ! Quicke offers bolt on spill guard that is easy to install pre-drilled holes. The loaders tool carrier is thereby protected from overflowing material.
- ! Quicke offer plastic side "wall savers" to prevent damage to walls. Bucket side sheets come prepared for wall-savers that are easily bolted on.



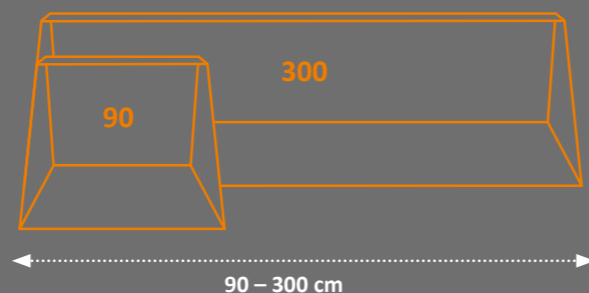
BoH M16 for M and S type bucket based implements



BoH M24 for all XL and L type bucket based implements



Widths made for your requirements



A SAFE CHOICE

Quality: From computer simulation to field testing with the heaviest loads to the hard endurance test on the fatigue test rig – Quicke's robust development programme tests the bucket design and material combinations in theory and practice. We leave nothing to chance.

Accessories: Choose your bucket with the right accessories: customer-specific solutions are our strength. Best of all, Quicke buckets are designed to be particularly easy to maintain, and when it comes down to it, Quicke Parts are quickly delivered wherever you are.



- 1 Conical bucket design for rapid & complete emptying of the bucket.
- 2 Heavy box-section design provides torsional strength for the bucket, at the same time covering the rigid BoH system leaving bucket interior clean for easy filling.
- 3 500 Brinell hard cutting edges and thick well-placed wear plates under the bucket increase bucket life allowing for greater productivity.
- 4 Large saddle plates on the bucket back that smoothly transfers the force of the loader to the bucket bottom and cutting edge.

All Quicke implements are painted and protected using the very latest powder coating technology.

“ We have restructured our bucket programme to further improve the bucket design and increase the flexibility by offering additional BoHs. Furthermore, our selection of accessories allows you to 'Build your Bucket' by optimizing it for your particular needs. The result: The next generation buckets. Tailor-made for maximum productivity in agriculture.”



Henrik Jönsson, Product Manager Implements

HOOK SYSTEMS & ACCESSORIES





A VARIETY OF HOOK SYSTEMS FOR A VARIETY OF LOADERS


Quicke Implements are possible to attach to most types of AG material handlers on the market thanks to the flexibility of our Bolt on Hooks systems.

Implements designed primarily for front loader use come as standard with welded Euro hooks to make configuration easier.

Many implements are available with accessories to further increase productivity and service life of your implement. All Quicke bolt on cutting edges are reversible and hardened to 500 HB. Bolt on bucket teeth comes in 400 HB.

When viewing this brochure check out the symbols below to find out how the implement can be configured.

| EXPLANATION OF THE SYMBOLS | | | |
|---|----------------------------------|---|--|
|  | Bolt on Hook, available BoH kits |  | Available with accessories |
|  | Available welded Hooks |  | Pressure relief valve needed if the working pressure of the loader is higher |

| HOOK SYSTEMS | |
|---|----------|
| CATEGORY | |
|  | M24 |
|  | M16 S/L |
|  | 80x80 XL |
|  | 80x80 |
|  | 60x80 |
|  | 40x80 |



If you are a registered dealer please log into dealer.quicke.nu

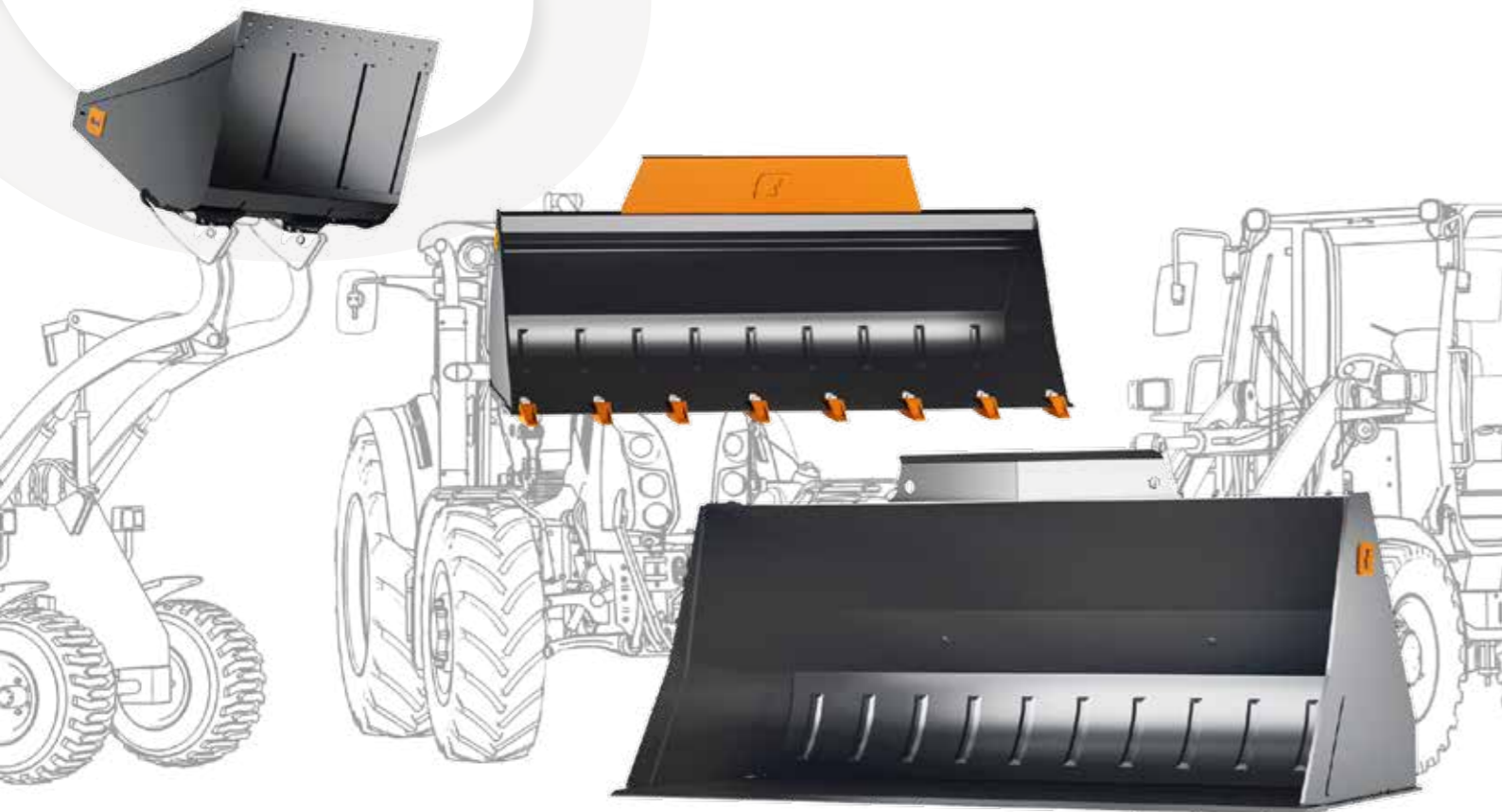
Please find the available hook systems for vehicles with the help of our configurator dealer.quicke.nu

AVAILABLE ACCESSORIES FOR IMPLEMENTS WITH +

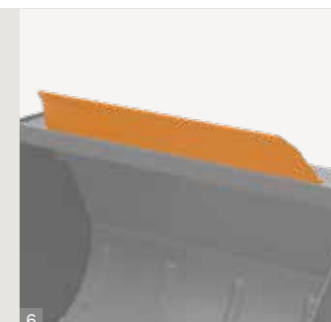
| Bucket Type | Cutting edge standard | Cutting edge plastic | Cutting edge serrated | Bolt on bucket teeth's | Teeth protection | Wall saver plastic | Spill guard |
|----------------------------|-----------------------|----------------------|-----------------------|------------------------|------------------|--------------------|-------------|
| SXL + / SL + | X | | | X | | | X |
| SM + | X | X | X | X | X | | X |
| VXL + / VL + / VS + | X | X | X | | | X | X |
| GXL + / GL + / GM + / GS + | X | X | X | | | X | X |

BUCKET TYPE S

The concave gable design of the soil bucket allows excellent penetration into hard materials such as rocks, gravel, soil and sand. The bucket bottom is shorter than of other buckets but still long enough for full utilisation of the bucket capacity.



| SXL+ | | 140 | 160 | 180 | 200 | 220 | 240 | 260 | 265 | 275 | 295 |
|----------------------|----------------|-----|------|------|------|------|------|------|------|------|------|
| Width | cm | | | | | | | | | 274 | 294 |
| Depth | cm | | | | | | | | | 129 | 129 |
| Height | cm | | | | | | | | | 133 | 133 |
| Volume heaped | m ³ | | | | | | | | | 2,50 | 2,70 |
| Volume struck | m ³ | | | | | | | | | 2,00 | 2,10 |
| Weight (without BoH) | kg | | | | | | | | | 1158 | 1216 |
| SL+ | | 140 | 160 | 180 | 200 | 220 | 240 | 260 | 265 | 275 | 295 |
| Width | cm | | | | | 219 | 239 | | 264 | | |
| Depth | cm | | | | | 105 | 105 | | 120 | | |
| Height | cm | | | | | 112 | 112 | | 123 | | |
| Volume heaped | m ³ | | | | | 1,30 | 1,40 | | 2,00 | | |
| Volume struck | m ³ | | | | | 1,00 | 1,10 | | 1,60 | | |
| Weight (without BoH) | kg | | | | | 634 | 669 | | 789 | | |
| SM+ | | 140 | 160 | 180 | 200 | 220 | 240 | 260 | 265 | 275 | 295 |
| Width | cm | | 158 | 178 | 198 | 218 | 238 | 258 | | | |
| Depth | cm | | 89 | 89 | 89 | 89 | 89 | 89 | | | |
| Height | cm | | 75,5 | 75,5 | 75,5 | 75,5 | 75,5 | 75,5 | | | |
| Volume heaped | m ³ | | 0,76 | 0,86 | 0,96 | 1,06 | 1,16 | 1,26 | | | |
| Volume struck | m ³ | | 0,60 | 0,68 | 0,76 | 0,84 | 0,92 | 1,00 | | | |
| Weight (without BoH) | kg | | 231 | 251 | 269 | 296 | 367 | 390 | | | |
| SM | | 140 | 160 | 185 | 210 | 220 | 240 | 260 | 265 | 275 | 295 |
| Width | cm | | | 186 | 211 | | | | | | |
| Depth | cm | | | 70,5 | 70,5 | | | | | | |
| Height | cm | | | 67,5 | 67,5 | | | | | | |
| Volume heaped | m ³ | | | 0,60 | 0,68 | | | | | | |
| Volume struck | m ³ | | | 0,48 | 0,55 | | | | | | |
| Weight (without BoH) | kg | | | 179 | 222 | | | | | | |



Prepared for:

- 1 Bolt on reversible cutting edge
- 2 Bolt on plastic cutting edge
- 3 Bolt on serrated cutting edge
- 4 Bolt on teeth
- 5 Teeth protection
- 6 Bolt on spill guard

SXL+

POWERFUL PREMIUM SOIL BUCKET PERFECT FOR WHEEL LOADERS

- Extremely strong and robust.
- Designed for heavy materials as gravel and soil.
- Available with various accessories and BoHs.

| SXL+ | 275 | 295 |
|-------------------------------|--------|--------|
| Width (outside gables), cm | 271 | 291 |
| Depth (max. inside), cm | 129 | 129 |
| Height (max. inside), cm | 133 | 133 |
| Volume heaped, m ³ | 2,50 | 2,70 |
| Volume struck, m ³ | 2,00 | 2,10 |
| Weight, kg | 1158* | 1216* |
| Cutting edge WxD, mm | 200x25 | 200x25 |



Bolted hooks available



Accessories available

Available accessories:
Cutting edge HB500
Bucket teeth
Spill guard

SL+

POWERFUL PREMIUM SOIL BUCKET FOR WHEEL LOADERS AND LARGE FRONT END LOADERS

- Robust design that guarantees long service life.
- Designed for heavy materials as gravel and soils.
- Available with various accessories and BoHs.

| SL+ | 220 | 240 | 265 |
|-------------------------------|--------|--------|--------|
| Width (outside gables), cm | 217 | 237 | 262 |
| Depth (max. inside), cm | 105 | 105 | 120 |
| Height (max. inside), cm | 112 | 112 | 123 |
| Volume heaped, m ³ | 1,30 | 1,40 | 2,00 |
| Volume struck, m ³ | 1,00 | 1,10 | 1,60 |
| Weight, kg | 634* | 669* | 789* |
| Cutting edge WxD, mm | 200x20 | 200x20 | 200x20 |



Bolted hooks available



Accessories available

Available accessories:
Cutting edge HB500
Bucket teeth
Spill guard

SM+

POWERFUL PREMIUM SOIL BUCKET FOR COMPACT WHEEL LOADERS AND FRONT END LOADERS

- Strong and versatile heavy material bucket.
- Ideal for Front loaders and compact wheel loaders.
- Available with various accessories and BoHs.

| SM+ | 160 | 180 | 200 | 220 | 240 | 260 |
|-------------------------------|--------|--------|--------|--------|--------|--------|
| Width (outside gables), cm | 158 | 178 | 198 | 218 | 238 | 258 |
| Depth (max. inside), cm | 89 | 89 | 89 | 89 | 89 | 89 |
| Height (max. inside), cm | 75,5 | 75,5 | 75,5 | 75,5 | 75,5 | 75,5 |
| Volume heaped, m ³ | 0,76 | 0,86 | 0,96 | 1,06 | 1,16 | 1,26 |
| Volume struck, m ³ | 0,60 | 0,68 | 0,76 | 0,84 | 0,90 | 1,00 |
| Weight, kg | 231* | 251* | 269* | 296* | 367* | 390* |
| Cutting edge WxD, mm | 150x18 | 150x18 | 150x18 | 150x18 | 200x18 | 200x18 |



Bolted hooks available



Welded hooks available



Accessories available

Available accessories:
Cutting edge HB500
Cutting edge plastic
Cutting edge serrated
Bucket teeth
Spill guard

SM

A STRONG BUT STILL LIGHT SOIL BUCKET

- Ideal for heavy materials.
- Bucket design allows handling of heavy materials.
- Well suited for machines with limited rollback force.

| SM | 185 | 210 |
|-------------------------------|--------|--------|
| Width (outside gables), cm | 186 | 211 |
| Depth (max. inside), cm | 70,5 | 70,5 |
| Height (max. inside), cm | 67,5 | 67,5 |
| Volume heaped, m ³ | 0,60 | 0,68 |
| Volume struck, m ³ | 0,48 | 0,55 |
| Weight, kg | 179** | 222** |
| Cutting edge WxD, mm | 150x16 | 150x16 |



Welded hooks available

* without Bolt on Hooks

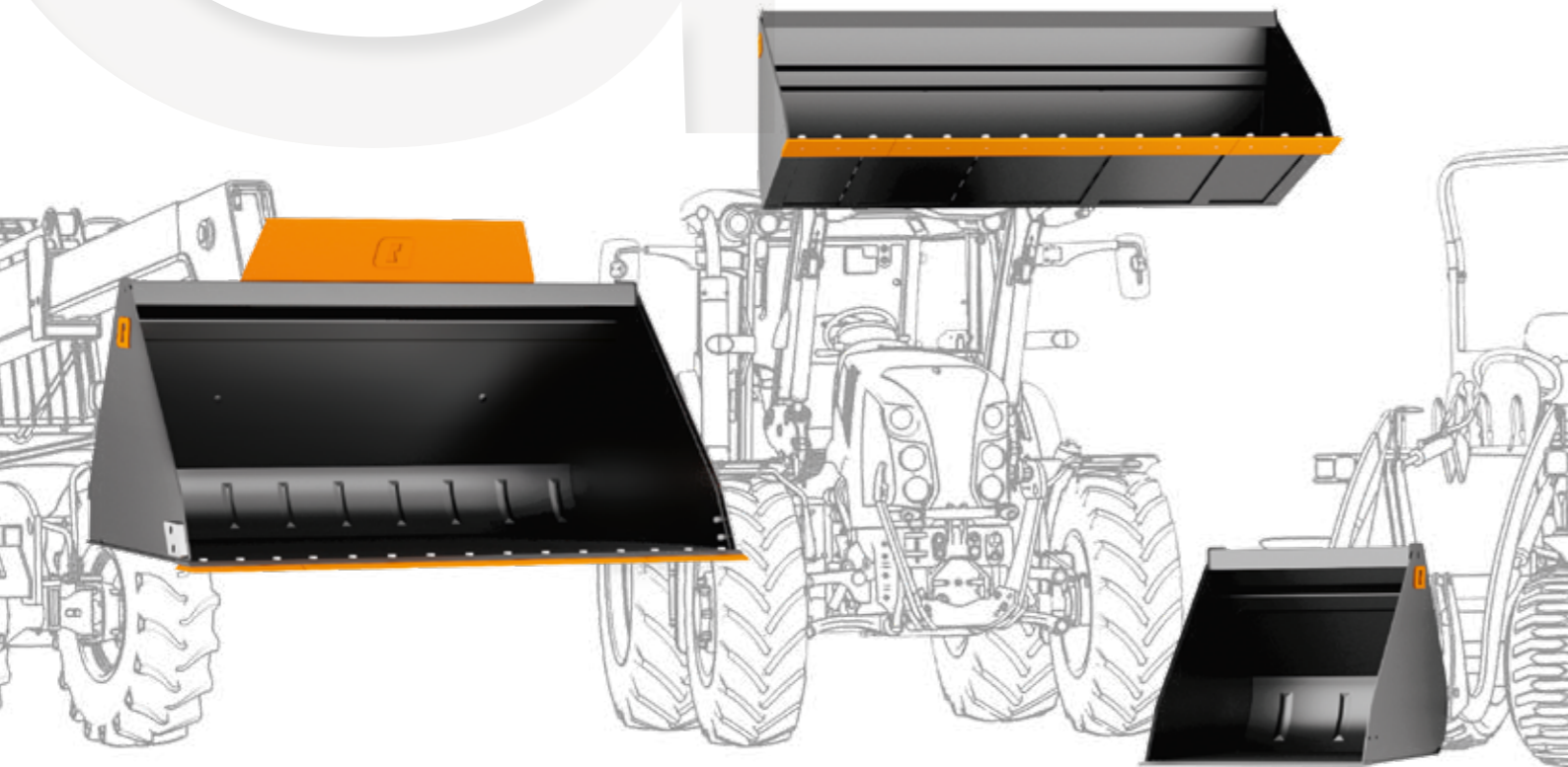
** Euro

S Series Video!

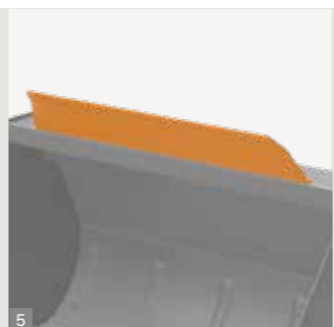


BUCKET TYPE G

The farmers favorite – the general purpose bucket. This bucket type can be used for most of everyday work at the farm. The slight convex gable design allows good penetration into tougher materials while the long bucket bottom ensures maximum filling of the bucket – all to increase your productivity.



| GXL + | | 90 | 100 | 120 | 140 | 160 | 180 | 200 | 220 | 240 | 260 |
|----------------------|----------------|------|------|------|------|------|------|-------|-------|-------|-------|
| Width | cm | | | | | | | 198 | 218 | 238 | 258 |
| Depth | cm | | | | | | | 140 | 140 | 140 | 140 |
| Height | cm | | | | | | | 105 | 105 | 105 | 105 |
| Volume heaped | m ³ | | | | | | | 1,75 | 1,94 | 2,11 | 2,31 |
| Volume struck | m ³ | | | | | | | 1,40 | 1,55 | 1,69 | 1,85 |
| Weight (without BoH) | kg | | | | | | | 497 | 529 | 588 | 619 |
| GL + | | 90 | 100 | 120 | 140 | 160 | 180 | 200 | 220 | 240 | 260 |
| Width | cm | | | | | | | 178 | 198 | 218 | 238 |
| Depth | cm | | | | | | | 128 | 128 | 128 | 128 |
| Height | cm | | | | | | | 94 | 94 | 94 | 94 |
| Volume heaped | m ³ | | | | | | | 1,23 | 1,40 | 1,55 | 1,71 |
| Volume struck | m ³ | | | | | | | 1,00 | 1,12 | 1,25 | 1,37 |
| Weight (without BoH) | kg | | | | | | | 420 | 448 | 473 | 529 |
| GM + | | 90 | 100 | 120 | 140 | 160 | 180 | 200 | 220 | 240 | 260 |
| Width | cm | | | | | | | 178 | 198 | 218 | 238 |
| Depth | cm | | | | | | | 104,5 | 104,5 | 104,5 | 104,5 |
| Height | cm | | | | | | | 78 | 78 | 78 | 78 |
| Volume heaped | m ³ | | | | | | | 1,02 | 1,14 | 1,27 | 1,40 |
| Volume struck | m ³ | | | | | | | 0,81 | 0,90 | 0,99 | 1,09 |
| Weight (without BoH) | kg | | | | | | | 300 | 324 | 357 | 380 |
| GM | | 90 | 100 | 120 | 140 | 165 | 190 | 215 | 245 | 240 | 260 |
| Width | cm | | | | 138 | 163 | 188 | 213 | 243 | | |
| Depth | cm | | | | 81,5 | 81,5 | 81,5 | 81,5 | 81,5 | | |
| Height | cm | | | | 71,5 | 71,5 | 71,5 | 71,5 | 71,5 | | |
| Volume heaped | m ³ | | | | 0,54 | 0,65 | 0,72 | 0,82 | 0,95 | | |
| Volume struck | m ³ | | | | 0,45 | 0,54 | 0,60 | 0,69 | 0,79 | | |
| Weight (without BoH) | kg | | | | 146 | 165 | 205 | 251 | 293 | | |
| GS+ | | 90 | 100 | 120 | 140 | 160 | 180 | 200 | 220 | 240 | 260 |
| Width | cm | 88 | 98 | 118 | 138 | 158 | | | | | |
| Depth | cm | 82,5 | 82,5 | 82,5 | 82,5 | 82,5 | | | | | |
| Height | cm | 64,5 | 64,5 | 64,5 | 64,5 | 64,5 | | | | | |
| Volume heaped | m ³ | 0,32 | 0,36 | 0,44 | 0,53 | 0,61 | | | | | |
| Volume struck | m ³ | 0,26 | 0,29 | 0,36 | 0,42 | 0,48 | | | | | |
| Weight (without BoH) | kg | 108 | 116 | 135 | 180 | 197 | | | | | |
| GS | | 90 | 100 | 120 | 135 | 160 | 185 | 200 | 220 | 240 | 260 |
| Width | cm | | | | 137 | | 187 | | | | |
| Depth | cm | | | | 78,4 | | 78,4 | | | | |
| Height | cm | | | | 79 | | 79 | | | | |
| Volume heaped | m ³ | | | | 0,51 | | 0,60 | | | | |
| Volume struck | m ³ | | | | 0,40 | | 0,71 | | | | |
| Weight (without BoH) | kg | | | | 126 | | 166 | | | | |



Prepared for:

- 1 Bolt on reversible cutting edge
- 2 Bolt on plastic cutting edge
- 3 Bolt on serrated cutting edge
- 4 Bolt on wall saver
- 5 Bolt on spill guard

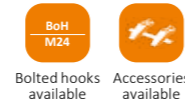


GXL+

PREMIUM GENERAL PURPOSE BUCKET FOR ALLROUND WORK

- Premium general purpose bucket for allround work.
- Ideal for telehandlers but works good with compact wheel loaders and large front end loaders.
- Available with various accessories and BoHs.

| GXL+ | 200 | 220 | 240 | 260 |
|-------------------------------|--------|--------|--------|--------|
| Width (outside gables), cm | 198 | 218 | 238 | 258 |
| Depth (max. inside), cm | 136,5 | 136,5 | 136,5 | 136,5 |
| Height (max. inside), cm | 101,5 | 101,5 | 101,5 | 101,5 |
| Volume heaped, m ³ | 1,75 | 1,94 | 2,11 | 2,31 |
| Volume struck, m ³ | 1,40 | 1,55 | 1,69 | 1,85 |
| Weight, kg | 497* | 529* | 588* | 619* |
| Cutting edge WxD, mm | 150x18 | 150x18 | 150x18 | 150x18 |



Available accessories:
Cutting edge HB500
Cutting edge plastic
Cutting edge serrated
Wall saver
Spill guard

GS+

PREMIUM GENERAL PURPOSE BUCKET FOR ALLROUND WORK

- Designed for yard loaders and small compact wheel loaders.
- Available with various accessories and Bolt On Hooks.

| GS+ | 90 | 100 | 120 | 140 | 160 |
|-------------------------------|--------|--------|--------|--------|--------|
| Width (outside gables), cm | 88 | 98 | 118 | 138 | 158 |
| Depth (max. inside), cm | 82,5 | 82,5 | 82,5 | 82,5 | 82,5 |
| Height (max. inside), cm | 64,5 | 64,5 | 64,5 | 64,5 | 64,5 |
| Volume heaped, m ³ | 0,32 | 0,36 | 0,44 | 0,53 | 0,61 |
| Volume struck, m ³ | 0,26 | 0,29 | 0,36 | 0,42 | 0,48 |
| Weight, kg | 108* | 116* | 134,5* | 180,5* | 197* |
| Cutting edge WxD, mm | 100x14 | 100x14 | 100x14 | 150x14 | 150x14 |

Action Video!



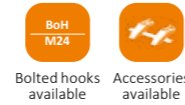
Available accessories:
Cutting edge HB500
Cutting edge plastic
Cutting edge serrated
Wall saver
Spill guard

GL+

HIGHLY MODULAR GENERAL PURPOSE BUCKET FOR ALLROUND WORK

- Highly modular general purpose bucket for allround work.
- Ideal for telehandlers but works good with compact wheel loaders and large front end loaders.
- Available with various accessories and BoHs.

| GL+ | 180 | 200 | 220 | 240 | 260 |
|-------------------------------|--------|--------|--------|--------|--------|
| Width (outside gables), cm | 178 | 198 | 218 | 238 | 258 |
| Depth (max. inside), cm | 124,5 | 124,5 | 124,5 | 124,5 | 124,5 |
| Height (max. inside), cm | 90,5 | 90,5 | 90,5 | 90,5 | 90,5 |
| Volume heaped, m ³ | 1,23 | 1,40 | 1,55 | 1,71 | 1,90 |
| Volume struck, m ³ | 1,00 | 1,12 | 1,25 | 1,37 | 1,50 |
| Weight, kg | 420* | 448* | 473* | 529* | 558* |
| Cutting edge WxD, mm | 150x18 | 150x18 | 150x18 | 150x18 | 150x18 |



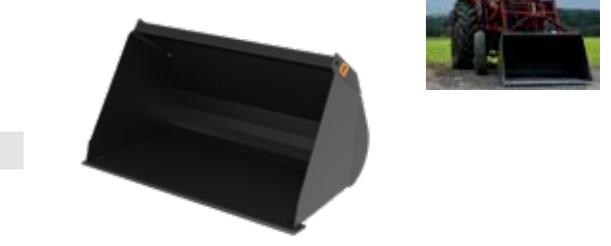
Available accessories:
Cutting edge HB500
Cutting edge plastic
Cutting edge serrated
Wall saver
Spill guard

GS

A VERSATILE AND LIGHT GENERAL PURPOSE BUCKET

- A lighter version of the GM bucket.
- Highly versatile.
- Well suited for lighter tasks.

| GS | 135 | 185 |
|-------------------------------|--------|--------|
| Width (outside gables), cm | 137 | 187 |
| Depth (max. inside), cm | 78,4 | 78,4 |
| Height (max. inside), cm | 79 | 79 |
| Volume heaped, m ³ | 0,51 | 0,71 |
| Volume struck, m ³ | 0,40 | 0,60 |
| Weight, kg | 126** | 166** |
| Cutting edge WxD, mm | 100x12 | 100x12 |



* without Bolt on Hooks

** Euro

GM+

GENERAL PURPOSE BUCKET FOR SMALLER TELEHANDLERS, COMPACT WHEEL LOADERS AND LARGE FRONT LOADERS

- Conical shape and the straight gable design offers good penetration into tough materials.
- Ideal for telehandlers, compact wheel loaders and large front end loaders.
- Available with various accessories and BoHs.

| GM+ | 180 | 200 | 220 | 240 |
|-------------------------------|--------|--------|--------|--------|
| Width (outside gables), cm | 178 | 198 | 218 | 238 |
| Depth (max. inside), cm | 104,5 | 104,5 | 104,5 | 104,5 |
| Height (max. inside), cm | 78 | 78 | 78 | 78 |
| Volume heaped, m ³ | 1,02 | 1,14 | 1,27 | 1,40 |
| Volume struck, m ³ | 0,81 | 0,90 | 0,99 | 1,09 |
| Weight, kg | 300* | 324* | 357* | 380* |
| Cutting edge WxD, mm | 150x18 | 150x18 | 150x18 | 150x18 |



Available accessories:
Cutting edge HB500
Cutting edge plastic
Cutting edge serrated
Wall saver
Spill guard

GM

GENERAL PURPOSE BUCKET PERFECT FOR FRONT END LOADER USE

- Ideal for front end loaders.
- Highly versatile.
- Easy to fill and to empty.

| GM | 140 | 165 | 190 | 215 | 245 |
|-------------------------------|--------|--------|--------|--------|--------|
| Width (outside gables), cm | 138 | 163 | 188 | 213 | 243 |
| Depth (max. inside), cm | 81,5 | 81,5 | 81,5 | 81,5 | 81,5 |
| Height (max. inside), cm | 71,5 | 71,5 | 71,5 | 71,5 | 71,5 |
| Volume heaped, m ³ | 0,54 | 0,65 | 0,72 | 0,82 | 0,95 |
| Volume struck, m ³ | 0,45 | 0,54 | 0,60 | 0,69 | 0,79 |
| Weight, kg | 146** | 165** | 205** | 251** | 293** |
| Cutting edge WxD, mm | 150x14 | 150x14 | 150x14 | 150x14 | 150x18 |



* without Bolt on Hooks

** Euro

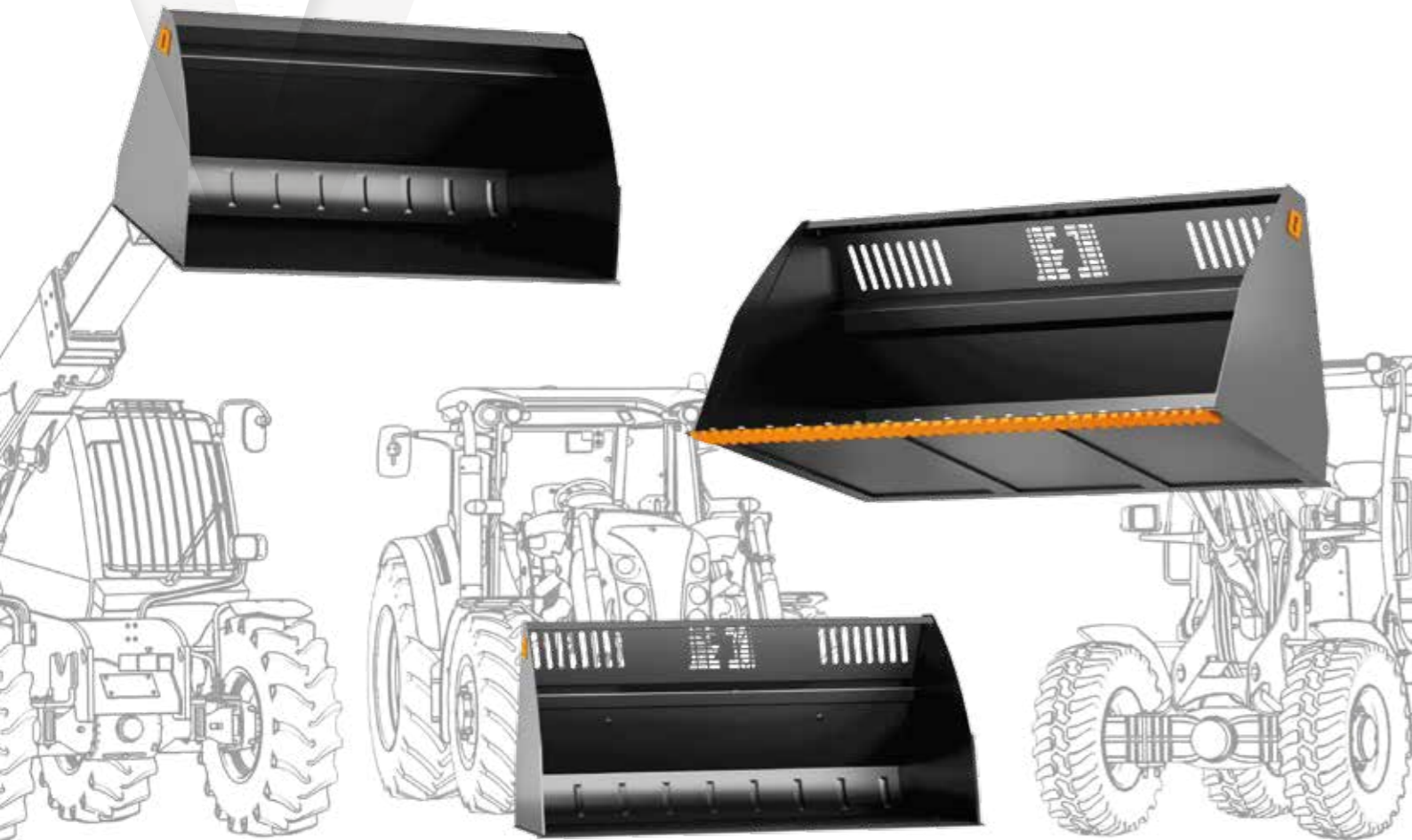


G Series Video!



BUCKET TYPE V

When handling large volumes of low to medium density materials, the Quicke volume bucket is your best choice. The heavy convex gable design in combination with the large volume ensures maximum filling and prevents spillage of loose materials.



| VXL+ | | 90 | 100 | 120 | 140 | 160 | 180 | 200 | 220 | 245 | 265 | 285 | 305 |
|----------------------|----------------|----|-----|-----|-----|-----|-----|-----|-----|------|------|------|------|
| Width | cm | | | | | | | | | 246 | 263 | 286 | 305 |
| Depth | cm | | | | | | | | | 156 | 156 | 171 | 171 |
| Height | cm | | | | | | | | | 124 | 124 | 132 | 147 |
| Volume heaped | m ³ | | | | | | | | | 3,00 | 3,20 | 4,00 | 5,00 |
| Volume struck | m ³ | | | | | | | | | 2,40 | 2,60 | 3,20 | 4,00 |
| Weight (without BoH) | kg | | | | | | | | | 727 | 761 | 1120 | 1313 |

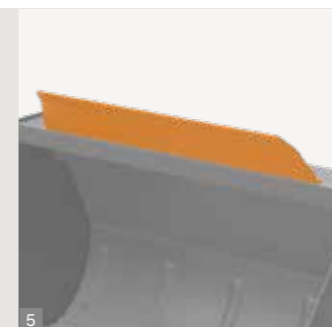
| VL+ | | 90 | 100 | 120 | 140 | 160 | 180 | 200 | 220 | 240 | 260 | 285 | 305 |
|----------------------|----------------|----|-----|-----|-----|-----|------|------|------|------|------|-----|-----|
| Width | cm | | | | | | 178 | 198 | 218 | 238 | 258 | | |
| Depth | cm | | | | | | 109 | 109 | 109 | 128 | 128 | | |
| Height | cm | | | | | | 96 | 96 | 96 | 106 | 106 | | |
| Volume heaped | m ³ | | | | | | 1,30 | 1,46 | 1,62 | 2,22 | 2,42 | | |
| Volume struck | m ³ | | | | | | 1,07 | 1,19 | 1,32 | 1,80 | 1,95 | | |
| Weight (without BoH) | kg | | | | | | 403 | 430 | 457 | 558 | 589 | | |

| VL | | 90 | 100 | 120 | 140 | 160 | 180 | 205 | 225 | 245 | 265 | 285 | 305 |
|----------------------|----------------|----|-----|-----|-----|-----|-----|------|------|-------|-------|-----|-----|
| Width | cm | | | | | | | 204 | 224 | 245 | 265 | | |
| Depth | cm | | | | | | | 104 | 104 | 109,5 | 109,5 | | |
| Height | cm | | | | | | | 83 | 83 | 98 | 98 | | |
| Volume heaped | m ³ | | | | | | | 1,16 | 1,28 | 1,70 | 1,85 | | |
| Volume struck | m ³ | | | | | | | 0,97 | 1,06 | 1,42 | 1,54 | | |
| Weight (without BoH) | kg | | | | | | | 292 | 317 | 466 | 499 | | |

| VM | | 90 | 100 | 120 | 140 | 160 | 185 | 205 | 225 | 245 | 265 | 285 | 305 |
|----------------------|----------------|----|-----|-----|-----|-----|-------|-------|-------|-------|-------|-----|-----|
| Width | cm | | | | | | 184 | 204 | 224 | 245 | 265 | | |
| Depth | cm | | | | | | 104,5 | 104,5 | 104,5 | 109,5 | 109,5 | | |
| Height | cm | | | | | | 98 | 98 | 98 | 98 | 98 | | |
| Volume heaped | m ³ | | | | | | 1,45 | 1,60 | 1,70 | 2,00 | 2,20 | | |
| Volume struck | m ³ | | | | | | 0,95 | 1,10 | 1,20 | 1,45 | 1,60 | | |
| Weight (without BoH) | kg | | | | | | 316 | 341 | 366 | 417 | 443 | | |

| VS | | 90 | 100 | 120 | 140 | 160 | 180 | 200 | 220 | 240 | 260 | 285 | 305 |
|----------------------|----------------|----|-----|-----|-----|-----|-----|-------|-------|-----|-----|-----|-----|
| Width | cm | | | | | | | 202 | 222 | | | | |
| Depth | cm | | | | | | | 101,5 | 101,5 | | | | |
| Height | cm | | | | | | | 83 | 83 | | | | |
| Volume heaped | m ³ | | | | | | | 1,13 | 1,25 | | | | |
| Volume struck | m ³ | | | | | | | 0,95 | 1,04 | | | | |
| Weight (without BoH) | kg | | | | | | | 219 | 235 | | | | |

| VS+ | | 90 | 100 | 120 | 140 | 160 | 180 | 200 | 220 | 240 | 260 | 285 | 305 |
|----------------------|----------------|------|------|------|------|------|-----|-----|-----|-----|-----|-----|-----|
| Width | cm | 88 | 98 | 118 | 138 | 158 | | | | | | | |
| Depth | cm | 97 | 97 | 97 | 97 | 97 | | | | | | | |
| Height | cm | 75 | 75 | 75 | 75 | 75 | | | | | | | |
| Volume heaped | m ³ | 0,43 | 0,47 | 0,59 | 0,70 | 0,81 | | | | | | | |
| Volume struck | m ³ | 0,35 | 0,39 | 0,47 | 0,56 | 0,64 | | | | | | | |
| Weight (without BoH) | kg | 118 | 131 | 157 | 185 | 211 | | | | | | | |



Prepared for:

- 1 Bolt on reversible cutting edge
- 2 Bolt on plastic cutting edge
- 3 Bolt on serrated cutting edge
- 4 Bolt on wall saver
- 5 Bolt on spill guard



VXL+

PREMIUM VOLUME BUCKET FOR LIGHT MATERIALS

- Strong overall design and long service life.
- Available with various accessories and BoHs.
- Vision slots in the back covered with transparent plastic to prevent spillage.

| VXL+ | 245 | 265 | 285 | 305 |
|-------------------------------|--------|--------|--------|--------|
| Width, cm | 244 | 261 | 283 | 302 |
| Depth (max. inside), cm | 156 | 156 | 171 | 171 |
| Height (max. inside), cm | 124 | 124 | 132 | 147 |
| Volume heaped, m ³ | 3,00 | 3,20 | 4,00 | 5,00 |
| Volume struck, m ³ | 2,40 | 2,60 | 3,20 | 4,00 |
| Weight, kg | 727* | 761* | 1120* | 1313* |
| Cutting edge WxD, mm | 150x20 | 150x20 | 150x25 | 200x25 |



Bolted hooks available



Accessories available

Available accessories:
Cutting edge HB500
Cutting edge plastic
Cutting edge serrated
Wall saver
Spill guard
HD cover for visitslots

VS

A COMPETITIVE BUCKET MADE FOR LIGHT MATERIALS

- Competitive and light design.
- Ideal for light materials as grain.

| VS | 200 | 220 |
|-------------------------------|--------|--------|
| Width, cm | 202 | 222 |
| Depth (max. inside), cm | 101,5 | 101,5 |
| Height (max. inside), cm | 83 | 83 |
| Volume heaped, m ³ | 1,13 | 1,25 |
| Volume struck, m ³ | 0,95 | 1,04 |
| Weight, kg | 219** | 235** |
| Cutting edge WxD, mm | 100x14 | 100x14 |



Welded hooks available

VL+

PREMIUM VOLUME BUCKET FOR LIGHT MATERIALS

- High capacity volume bucket.
- Perfect for compact wheel loaders and large front end loaders.
- Available with various accessories and BoHs.
- Vision slots in the back covered with transparent plastic to prevent spillage (only with welded Euro and SMS).

| VL+ | 180 | 200 | 220 | 240 | 260 |
|-------------------------------|--------|--------|--------|--------|--------|
| Width, cm | 178 | 198 | 218 | 238 | 258 |
| Depth (max. inside), cm | 107,5 | 107,5 | 107,5 | 124,5 | 124,5 |
| Height (max. inside), cm | 96 | 96 | 96 | 106 | 106 |
| Volume heaped, m ³ | 1,30 | 1,46 | 1,62 | 2,22 | 2,42 |
| Volume struck, m ³ | 1,07 | 1,19 | 1,32 | 1,80 | 1,95 |
| Weight, kg | 403* | 430* | 457* | 558* | 589* |
| Cutting edge WxD, mm | 150x18 | 150x18 | 150x18 | 150x18 | 150x18 |



Bolted hooks available



Welded hooks available



Accessories available

Available accessories:
Cutting edge HB500
Cutting edge plastic
Cutting edge serrated
Wall saver
Spill guard
HD cover for visitslots

VS+

LIGHT MATERIALS BUCKET FOR LIGHT MATERIAL HANDLERS

- Light materials bucket.
- Designed for yard loaders and small compact wheel loaders.
- Available with various accessories and Bolt on Hooks.

| VS+ | 90 | 100 | 120 | 140 | 160 |
|-------------------------------|--------|--------|--------|--------|--------|
| Width, cm | 88 | 98 | 118 | 138 | 158 |
| Depth (max. inside), cm | 97 | 97 | 97 | 97 | 97 |
| Height (max. inside), cm | 75 | 75 | 75 | 75 | 75 |
| Volume heaped, m ³ | 0,43 | 0,47 | 0,59 | 0,70 | 0,81 |
| Volume struck, m ³ | 0,35 | 0,39 | 0,47 | 0,56 | 0,64 |
| Weight, kg | 118* | 131* | 157* | 185* | 203* |
| Cutting edge WxD, mm | 100x14 | 100x14 | 100x14 | 150x14 | 150x14 |



Bolted hooks available



Accessories available

(M16 L hook recommended on 140 and 160)

Available accessories:
Cutting edge HB500
Cutting edge plastic
Cutting edge serrated
Wall saver
Spill guard

* without Bolt on Hooks

** Euro

VL

A STRONG BUILT VOLUME BUCKET FOR LIGHTER MATERIALS

- Sturdy light material bucket.
- Well proven design.
- Ideal for snow removal with e.g. front end loaders.

| VL | 205 | 225 | 245 | 265 |
|-------------------------------|--------|--------|--------|--------|
| Width, cm | 204 | 224 | 245 | 265 |
| Depth (max. inside), cm | 104 | 104 | 109,5 | 109,5 |
| Height (max. inside), cm | 83 | 83 | 98 | 98 |
| Volume heaped, m ³ | 1,16 | 1,28 | 1,70 | 1,85 |
| Volume struck, m ³ | 0,97 | 1,06 | 1,42 | 1,54 |
| Weight, kg | 292** | 317** | 466** | 499** |
| Cutting edge WxD, mm | 150x14 | 150x14 | 200x18 | 200x18 |



Welded hooks available

VM

LIGHT MATERIAL BUCKET WITH HIGH VOLUME CAPACITY

- High volume capacity.
- Perfect for grains and wood chips.
- Good match for front end loaders and compact wheel loaders.

| VM | 185 | 205 | 225 | 245 | 265 |
|-------------------------------|--------|--------|--------|--------|--------|
| Width, cm | 184 | 204 | 224 | 245 | 265 |
| Depth (max. inside), cm | 104,5 | 104,5 | 104,5 | 109,5 | 109,5 |
| Height (max. inside), cm | 98 | 98 | 98 | 98 | 98 |
| Volume heaped, m ³ | 1,45 | 1,60 | 1,70 | 2,00 | 2,20 |
| Volume struck, m ³ | 0,95 | 1,10 | 1,20 | 1,45 | 1,60 |
| Weight, kg | 316** | 341** | 366** | 417** | 443** |
| Cutting edge WxD, mm | 150x14 | 150x14 | 150x14 | 200x18 | 200x18 |



Welded hooks available

* without Bolt on Hooks

** Euro



COMPACT & UTILITY BUCKETS

U Bucket

A UNIVERSAL BUCKET DESIGNED FOR SMALL FRONT END LOADERS

- Designed for lighter material handlers.
- Simple, robust and competitive.

| U BUCKET | 185 U | 215 U |
|-------------------------------|-------|-------|
| Width, cm | 185 | 215 |
| Depth (max. inside), cm | 74,6 | 74,6 |
| Height (max. inside), cm | 61 | 61 |
| Volume heaped, m ³ | 0,57 | 0,68 |
| Volume struck, m ³ | 0,47 | 0,55 |
| Weight, kg | 173** | 196** |



Euro Skid steer
Welded hooks available

COMPACT BUCKET C with Euro

STANDARD BUCKET SPECIALLY DESIGNED FOR COMPACT TRACTOR LOADERS WITH EURO QUICK ATTACH.

- Standard bucket for compact tractor loaders.
- Design optimized for Euro quick attach.

| CS/CM/CL BUCKET | 120 CS | 135 CS | 150 CM | 130 CL | 150 CL | 170 CL |
|-------------------------------|--------|--------|--------|--------|--------|--------|
| Width, cm | 122 | 136 | 152 | 132 | 152 | 172 |
| Depth (max. inside), cm | 44 | 44 | 50 | 66,5 | 66,5 | 66,5 |
| Height (max. inside), cm | 45 | 45 | 54 | 59 | 59 | 59 |
| Volume heaped, m ³ | 0,198 | 0,227 | 0,288 | 0,34 | 0,39 | 0,44 |
| Volume struck, m ³ | 0,15 | 0,17 | 0,22 | 0,28 | 0,32 | 0,36 |
| Weight, kg | 69** | 75** | 91** | 99** | 109** | 120** |



Euro
Welded hooks available



COMPACT BUCKET C with Skid Steer

STANDARD BUCKET SPECIALLY DESIGNED FOR COMPACT TRACTOR LOADERS WITH SKID STEER QUICK ATTACH.

- Standard bucket for compact tractor loaders.
- Design optimized for Skid steer quick attach.

| C3/C2 BUCKET | 120 C3 | 135 C3 | 155 C2 | 170 C2 | 185 C2 |
|-------------------------------|--------|--------|--------|--------|--------|
| Width, cm | 120 | 140 | 157 | 172 | 187 |
| Depth (max. inside), cm | 44 | 44 | 53 | 53 | 53 |
| Height (max. inside), cm | 45 | 45 | 51 | 51 | 51 |
| Volume heaped, m ³ | 0,165 | 0,185 | 0,25 | 0,27 | 0,30 |
| Volume struck, m ³ | 0,135 | 0,15 | 0,19 | 0,21 | 0,23 |
| Weight, kg | 64 | 66 | 90 | 97 | 10 |



Skid steer
Welded hooks available



** Euro



SPECIAL BUCKETS

Multi Purpose Bucket

THE VERSATILE AND ROBUST TOOL FOR MATERIAL HANDLING

- Versatile multipurpose bucket.
- Digging, grabbing, grading and bottom emptying.
- Robust design ideal for front loaders.

| MULTI PURPOSE BUCKET | 160 MP | 185 MP | 210 MP | 160 MPT | 185 MPT | 210 MPT |
|-------------------------------|--------|--------|--------|---------|---------|---------|
| Width, cm | 161,6 | 186,6 | 211,6 | 161,6 | 186,6 | 211,6 |
| Depth (max. inside), cm | 67 | 67 | 67 | 67 | 67 | 67 |
| Height (max. inside), cm | 67,5 | 67,5 | 67,5 | 67,5 | 67,5 | 67,5 |
| Volume heaped, m ³ | 0,48 | 0,56 | 0,66 | 0,48 | 0,56 | 0,66 |
| Volume struck, m ³ | 0,38 | 0,44 | 0,50 | 0,38 | 0,44 | 0,50 |
| Weight, kg | 267** | 401** | 434** | 373** | 407** | 441** |
| Cutting edge WxD, mm | 150x16 | 150x16 | 150x16 | 150x16 | 150x16 | 150x16 |



Welded hooks available
MP = without teeth
MPT = with teeth

High Tip Bucket XH M+

ALLOWS TIPPING AT A HIGHER LEVEL

- Increases loading height by 2,2m.
- Designed for handling low density materials as wood chips and grains.
- Well suited for front loaders and compact wheel loaders.

| HIGH TIP BUCKET | 160 | 180 | 200 | 220 | 240 | 260 |
|-------------------------------|--------|--------|--------|--------|--------|--------|
| Width, cm | 161 | 181 | 201 | 221 | 241 | 261 |
| Depth (max. inside), cm | 117,3 | 117,3 | 117,3 | 117,3 | 117,3 | 117,3 |
| Height (max. inside), cm | 104,5 | 104,5 | 104,5 | 104,5 | 104,5 | 104,5 |
| Volume heaped, m ³ | 1,4 | 1,51 | 1,75 | 1,96 | 2,18 | 2,40 |
| Volume struck, m ³ | 1,2 | 1,37 | 1,52 | 1,64 | 1,86 | 2,08 |
| Weight, kg | 481* | 514* | 566* | 600* | 635* | 669* |
| Cutting edge WxD, mm | 180x16 | 180x16 | 180x16 | 180x16 | 180x16 | 180x16 |



Bolted hooks available



Welded hooks available



Over 210 bar Pressure relief valve needed

Special Clearing Bucket SC M+

THE PROFESSIONAL SNOW CLEARING IMPLEMENT FOR AG TRACTORS AND COMPACT WHEEL LOADERS

- Professional snow clearing.
- Reinforced and improved flaps for increased productivity.
- Available with M16 L BoH system and unique accessories such as snow plough wing.

| SPECIAL CLEARING BUCKET | 230 |
|-------------------------------|--------|
| Width, cm | 230 |
| Width max., cm | 392 |
| Depth (max. inside), cm | 109 |
| Height (max. inside), cm | 98 |
| Volume heaped, m ³ | 1,41 |
| Volume struck, m ³ | 1,14 |
| Weight, kg | 660* |
| Cutting edge WxD, mm | 200x20 |



Hardened steel cutting blades



Bolted hooks available



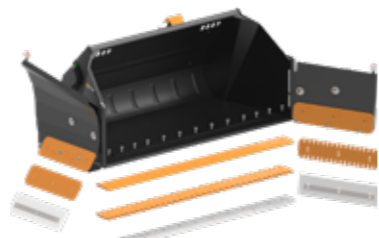
Accessories available



Over 210 bar Pressure relief valve needed



Right hand plow wing



Different cutting edges available



Available accessories:
Plow wing (right and left hand)
Cutting edge HB500
Cutting edge plastic
Cutting edge serrated
4th electric function kit
available for all loader types

* without Bolt on Hooks

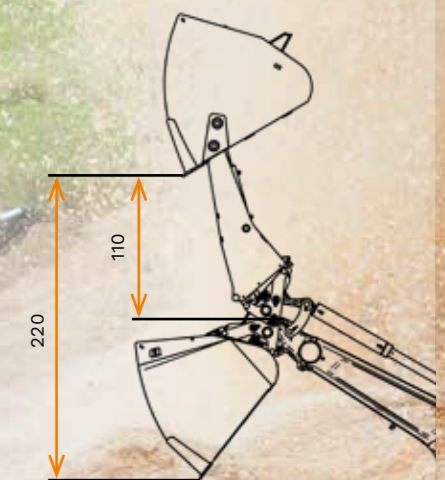
** Euro



Old design on gable plates.
In the current design the gable plates are convex.

XH High Tip Bucket

Well suited for front loaders, increases the loading height with more than 2.2m.



Grading Bucket XL

THE LARGER AND HEAVIER VERSION OF OUR POPULAR GRADING BUCKET

- All-round bucket.
- Optional spill guard.
- Optional bucket extension.

| GRADING BUCKET XL | 220 XL | 240 XL | 260 XL | 280 XL | 300 XL |
|-------------------------------|--------|--------|--------|--------|--------|
| Width (outside gables), cm | 220,6 | 242,6 | 262,5 | 282,8 | 302,4 |
| Depth (max. inside), cm | 118 | 118 | 137,5 | 137,5 | 152,5 |
| Height (max. inside), cm | 54,5 | 54,5 | 54,5 | 54,5 | 54,5 |
| Volume heaped, m ³ | 1,05 | 1,15 | 1,56 | 1,69 | 1,97 |
| Volume struck, m ³ | 0,79 | 0,87 | 1,14 | 1,23 | 1,40 |
| Weight, kg | 646 | 683 | 900 | 945 | 1151 |
| Cutting edge WxD, mm | 200x20 | 200x20 | 200x25 | 200x25 | 250x30 |



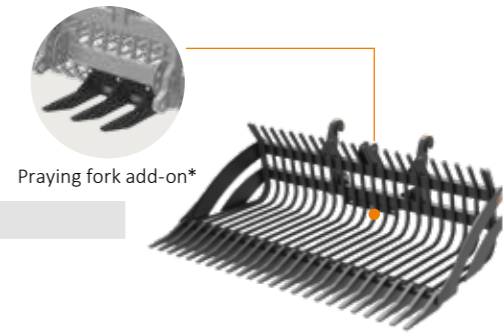
Available accessories:
Spill guard
Bucket extension

Stone Fork XL+

PICK UP, CLEAN AND TRANSPORT STONES

- Robust stone fork with improved design.
- Size and capacity well suited for large AG wheel loaders.
- Optional prying fork for picking up deeper buried stones.

| STONE FORK XL+ | 230 | 255 | 280 |
|----------------------------------|-------|-------|-------|
| Width, cm | 231,5 | 255,5 | 279,5 |
| Depth, cm | 164 | 164 | 164 |
| Height, cm | 93,5 | 93,5 | 93,5 |
| Number of tines | 20 | 22 | 24 |
| Tines profile width in front, mm | 35 | 35 | 35 |
| Distance round profile, mm | 80 | 80 | 80 |
| Strength round profile, mm | 40 | 40 | 40 |
| Weight, kg | 854 | 925 | 995 |



Prying fork add-on*



Available accessories:
Prying fork
3-point-linkage attachment

Grading Bucket

WHEN GRADING AND LEVELLING, THIS IS THE PROFESSIONALS CHOICE

- Low back and long bottom.
- Cutting edge in the back.
- Cutting edge is in good view of the operator.

| GRADING BUCKET | 180 | 200 | 220 | 240 |
|-------------------------------|--------|--------|--------|--------|
| Width, cm | 184 | 204 | 224 | 244 |
| Depth (max. inside), cm | 109 | 109 | 109 | 109 |
| Height (max. inside), cm | 48 | 48 | 48 | 48 |
| Volume heaped, m ³ | 0,62 | 0,70 | 0,78 | 0,86 |
| Volume struck, m ³ | 0,44 | 0,49 | 0,52 | 0,58 |
| Weight, kg | 282 | 308 | 333 | 402 |
| Cutting edge WxD, mm | 150x18 | 150x18 | 150x18 | 200x18 |



Stone Fork M+

PICK UP, CLEAN AND TRANSPORT STONES

- Available in three widths suitable for front loaders and compact wheel loaders.
- Mounted at the front end are hardened tines which point slightly downwards.
- Available with all common AG loader attachments and 3-point hitch.

| STONE FORK M+ | 155 | 200 | 225 |
|----------------------------------|-------|-------|-------|
| Width, cm | 156,5 | 200,5 | 222,5 |
| Depth, cm | 111 | 111 | 111 |
| Height, cm | 85 | 85 | 85 |
| Number of tines | 15 | 19 | 21 |
| Tines profile width in front, mm | 25 | 25 | 25 |
| Distance round profile, mm | 80 | 80 | 80 |
| Strength round profile, mm | 30 | 30 | 30 |
| Weight, kg | 257 | 318 | 348 |



Available accessories:
3-point-linkage attachment

Grading Bucket S

A GRADING BUCKET DESIGNED FOR YARD LOADERS AND COMPACT WHEEL LOADERS

- Ideal for yard loaders.
- Available with most common yard loader hook types.
- Snow extension available as accessory.

| GRADING BUCKET S | 100 | 120 | 140 | 160 |
|-------------------------------|--------|--------|--------|--------|
| Width (outside gables), cm | 98 | 118 | 138 | 158 |
| Depth (max. inside), cm | 83 | 83 | 83 | 83 |
| Height (max. inside), cm | 40 | 40 | 40 | 40 |
| Volume heaped, m ³ | 0,22 | 0,275 | 0,33 | 0,385 |
| Volume struck, m ³ | 0,153 | 0,186 | 0,219 | 0,252 |
| Weight*, kg | 110 | 125 | 160 | 177 |
| Cutting edge WxD, mm | 100x14 | 100x14 | 100x14 | 100x14 |



Available accessories:
Bucket extension

Precision Bucket

ALLOWS PIN POINT ACCURACY

- Releases material with high precision.
- Two available variants, both conical and straight.
- Cutting edge is in good view of the operator.

| PRECISION BUCKET | 200 PS | 200 PC | 250 PS | 250 PC |
|-------------------------------|--------|--------|--------|--------|
| Width, cm | 114,5 | 54,5 | 115 | 86,5 |
| Depth (max. inside), cm | 198,5 | 198,5 | 249 | 249 |
| Height (max. inside), cm | 61,5 | 61,5 | 76 | 76 |
| Volume heaped, m ³ | 0,93 | 0,87 | 1,69 | 1,54 |
| Volume struck, m ³ | 0,87 | 0,71 | 1,55 | 1,40 |
| Weight, kg | 302 | 271 | 577** | 566** |
| Cutting edge WxD, mm | 150x16 | 150x16 | 200x20 | 200x20 |



* depending on hook

** Only Volvo BM Large

* Bolted accessory for digging up large stones with Stone Fork XL+.
Note: Prying fork compatibility is dependent on loader boom and tilt mechanism design.
For example telehandlers with central boom and loaders with low position of cross tube may interfere with prying fork during dump out.
Carefully check for collisions before use.





MANURE & SILAGE

We have had seven decades to perfect our manure and silage implements. We have spent those years adjusting and fine tuning, learning that results are in the details. It has been about finding the perfect spacing of tines that will eliminate spillage, finding the cutting knives that gives the cleanest cut and the best shape of shells. But beyond details we have the big picture. For what you see is what you get - innovative silage implements that make you work more effectively and reduces handling time.



HENRIK JÖNSSON
PRODUCT MANAGER IMPLEMENTS

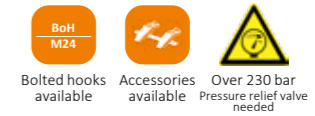
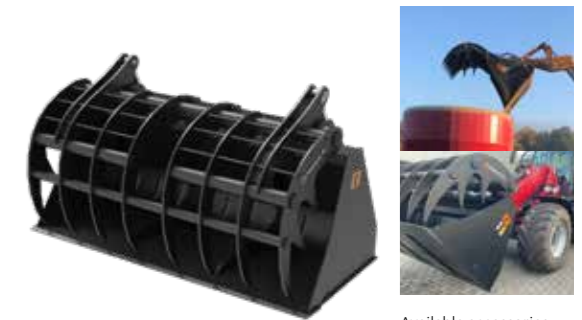
"We pride ourselves on the strength, quality and durability of our products, and the manure and silage implements are no different. We tirelessly continue to work to complement our offer, perfecting details, both in terms of large and small implements, for all kinds of machines."

Powergrab XL+

HIGH CAPACITY BUCKET GRAB DESIGNED FOR SILAGE HANDLING WITH LARGE TELEHANDLERS AND WHEEL LOADERS

- Bucket grab for silage handling.
- For use with 5 - 10 tons lift capacity material handlers.
- Compatible with Z-link loaders.

| POWERGRAB XL+ | 240 | 260 | 280 | 295 |
|------------------------|--------|--------|--------|--------|
| Width, cm | 245 | 260 | 280 | 300 |
| Depth, cm | 116 | 116 | 116 | 116 |
| Volume, m ³ | 2,45 | 2,65 | 2,85 | 3,00 |
| Max. opening, cm | 213 | 213 | 213 | 213 |
| Weight, kg | 1336 | 1380 | 1425 | 1458 |
| Cutting edge WxD, mm | 200x20 | 200x20 | 200x20 | 200x20 |



Available accessories:
Cutting edge HB500
Pressure relief valve
Load-hold/Pressure relief valve

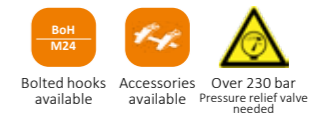
Powergrab L+

EFFICIENT BUCKET GRAB DESIGNED FOR SILAGE HANDLING WITH LARGE FRONT LOADERS, TELEHANDLERS AND WHEEL LOADERS

- Bucket grab for Silage handling.
- For use with 4 - 5,5 tons lift capacity material handlers.
- Compatible with Z-link loaders.

| POWERGRAB L+ | 200 | 220 | 240 | 260 |
|------------------------|--------|--------|--------|--------|
| Width, cm | 200 | 220 | 240 | 260 |
| Depth, cm | 100 | 100 | 100 | 100 |
| Volume, m ³ | 1,60 | 1,75 | 1,95 | 2,10 |
| Max. opening, cm | 200 | 200 | 200 | 200 |
| Weight, kg | 917 | 957 | 1060 | 1097 |
| Cutting edge WxD, mm | 200x20 | 200x20 | 200x20 | 200x20 |

Action Video!



Available accessories:
Cutting edge HB500
Pressure relief valve
Load-hold/Pressure relief valve

Powergrab M+

HIGHLY PRODUCTIVE BUCKET GRAB FOR SILAGE HANDLING WITH MEDIUM SIZED HANDLERS

- Ideal for farms with high feeding rate of clamp silage.
- Powerful grab and solid bucket base makes it perfect for maize silage extraction.
- Designed for use with front loaders, compact wheel loaders and up to medium sized telehandlers.

| POWERGRAB M+ | 165 | 180 | 200 | 220 | 240 | 260 |
|------------------------------------|--------|--------|--------|--------|--------|--------|
| Width, cm | 165 | 180 | 200 | 220 | 240 | 260 |
| Depth, cm | 116 | 116 | 116 | 116 | 116 | 116 |
| Volume, m ³ | 1 | 1,1 | 1,2 | 1,3 | 1,4 | 1,5 |
| Max. opening, cm | 162 | 162 | 162 | 162 | 162 | 162 |
| Weight (Single grab head)*, kg | 553 | 583 | 615 | 656 | 755 | 777 |
| Weight (Single grab head Euro), kg | - | - | 610 | 651 | 750 | - |
| Weight (Dual grab head)*, kg | - | - | - | - | 748 | 768 |
| Cutting edge WxD, mm | 150x18 | 150x18 | 150x18 | 150x18 | 150x18 | 150x18 |



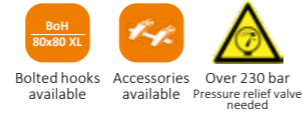
Available accessories:
Cutting edge HB500
Pressure relief valve
Load-hold/Pressure relief valve



Silocut XL+

HIGH-CAPACITY SHEAR GRAB FOR CUTTING SILAGE FROM SILAGE CLAMP AND SPLITTING BALES

- High-capacity shear grab with tines or bucket.
- Cuts both silage and bales.
- Available with 80x80 XL BoH system and optional bale wrap handler and push out.



Available accessories:
Bale Wrap Handler
Hydraulic push-out
(for forged-/profiled tine version)
Pressure relief valve
Load-hold/Pressure relief valve
Sequencer Valve

| SILOCUT XL+ | 225 | 250 |
|---------------------------------------|---------|---------|
| Working width, cm | 225 | 250 |
| Opening height total, cm | 187-192 | 192 |
| Opening, cm | 125-128 | 125-128 |
| Height total, cm | 139 | 139 |
| Depth inside until implement back, cm | 84-86 | 84-86 |
| No. of cylinders | 2 | 2 |
| Cylinder sizes | 125/60 | 125/60 |
| Volume, m ³ | 2,4 | 2,7 |
| No. of tines (forged, profiled) | 15-18 | 17-20 |
| Cutting edge WxD, mm (bucket) | 220x20 | 220x20 |
| Weight*, kg (forged) | 1381 | 1498 |
| Weight*, kg (profiled) | 1469 | 1615 |
| Weight*, kg (bucket) | 1498 | 1632 |

Example pictures showing the three different variants:



F = Forged tine version P = Profiled tine version B = Bucket version

Available accessories:



Hydraulic push-out Bale wrap handler Sequencer valve

Silocut M+

WELL PROVEN SHEAR GRAB SUITED FOR FRONT LOADERS, COMPACT WHEEL LOADERS AND MID-SIZE TELEHANDLERS

- Cuts cleanly in the silage clamp.
- Perfect size and capacity for front loaders, telehandlers and lighter wheel loaders.
- Features 80x80 Bolt on hooks and accessories.



Available accessories:
Back screen
Hose kits
Pressure relief valve
Load-hold/Pressure relief valve

| SILOCUT M+ (F AND P VERSION) | 125** | 150 | 175 | 200 | 225 |
|---------------------------------------|-------|--------|--------|--------------|--------|
| Working width, cm | 125 | 150 | 175 | 200 | 225 |
| Opening height total, cm | 133 | 133 | 133 | 133 | 133 |
| Opening, cm | 77 | 77 | 77 | 77 | 77 |
| Height closed, cm | 95 | 95 | 95 | 95 | 95 |
| Depth inside until implement back, cm | 67 | 67 | 67 | 67 | 67 |
| No. of cylinders | 2 | 2 | 2 | 3 | 3 |
| Cylinder sizes | 90/40 | 100/50 | 110/50 | 90/40-100/50 | 100/50 |
| Volume, m ³ | 0,8 | 0,95 | 1,1 | 1,25 | 1,4 |
| No. of tines | 10 | 12 | 14 | 16 | 18 |
| Weight*, kg (forged) | 476 | 528 | 609 | 751 | 790 |
| Weight*, kg (profiled) | | 507 | 595 | 720 | 759 |

Example pictures showing the two different variants:



F = Forged tine version P = Profiled tine version

Available accessories:



Silage backscreen Pressure relief valve

Sharp knives are key to high efficiency when working with silage. By having a clean cut, it prevents the admission of air and generation of heat, critical for feed quality. Should the knives lose their sharpness, they are – like every other part, big or small – easy to replace.

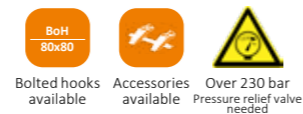
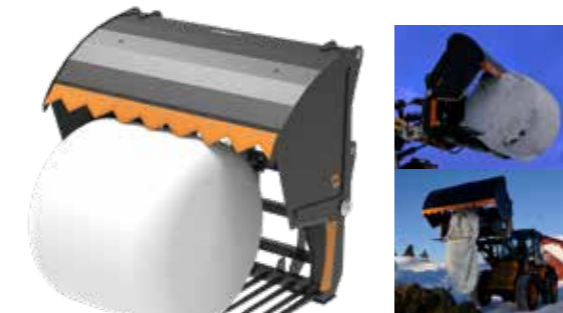
* without Bolt on Hooks

** Only available as forged tine version

Silocut L+

VERSATILE SHEAR GRAB FOR CUTTING SILAGE FROM SILAGE CLAMP AND SPLITTING BALES

- Versatile shear grab with tines or bucket.
- Cuts both silage and bales.
- Bale wrap handler and push out available as accessories.



Available accessories:
Bale Wrap Handler
Hydraulic push-out
(for forged-/profiled tine version)
Pressure relief valve
Load-hold/Pressure relief valve
Sequencer Valve

| SILOCUT L+ | 175 | 200 | 225 | 250 |
|---------------------------------------|---------|---------|---------|---------|
| Working width, cm | 175 | 200 | 225 | 250 |
| Opening height total, cm | 178-184 | 178-184 | 178-184 | 178-184 |
| Opening, cm | 126 | 126 | 126 | 126 |
| Height total, cm | 125 | 125 | 125 | 125 |
| Depth inside until implement back, cm | 83 | 83 | 83 | 83 |
| No. of cylinders | 2 | 2 | 2 | 2 |
| Cylinder sizes | 110/50 | 125/60 | 125/60 | 125/60 |
| Volume, m ³ | 1,4 | 1,6 | 1,8 | 2,0 |
| No. of tines (forged, profiled) | 14 | 16 | 18 | 20 |
| Cutting edge WxD, mm (bucket) | 150x18 | 150x18 | 150x18 | 150x18 |
| Weight*, kg (forged) | 924 | 994 | 1053 | 1122 |
| Weight*, kg (profiled) | 914 | 984 | 1041 | 1110 |
| Weight*, kg (bucket) | 979 | 1052 | 1110 | 1170 |

Example pictures showing the three different variants:



F = Forged tine version P = Profiled tine version B = Bucket version

Available accessories:



Hydraulic push-out Bale Wrap Handler Sequencer Valve

Action Video!



Silocut Range Video!



* without Bolt on Hooks

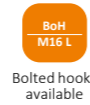
MULTIGRAB M+

MULTI-FUNCTIONAL BUCKET GRAB FOR MANURE, SILAGE AND WASTE HANDLING

- The ultimate solution for handling manure, silage, and waste.
- Smart basic design and clever accessories takes your operations to the next level.
- Designed for use with front loaders, compact wheel loaders and up to medium sized telehandlers.

| MULTIGRAB M+ | 200 | 220 | 240 | 260 |
|--------------------------|------|------|------|------|
| Width, cm | 200 | 220 | 240 | 260 |
| Depth (max. inside), cm | 121 | 121 | 121 | 121 |
| Height (max. inside), cm | 106 | 106 | 106 | 106 |
| Volume, m ³ | 1,30 | 1,45 | 1,60 | 1,75 |
| Opening Height total, cm | 162 | 162 | 162 | 162 |
| Weight, kg | 560 | 589 | 673 | 694 |

When handling logs or similar objects clamp edge or clamp bar must be assembled to prevent damage to tines.



Bolted hooks available



Accessories available



Over 210 bar pressure relief valve needed

Available accessories:
 Bolt on cutting edge
 Bolt on clamp bar
 Bolt on clamp edge
 Bolt on glove
 Bolt on gables
 Bolt on cylinder protection
 Pressure restrictor
 Load hold valve

MULTIGRAB C for Compact Tractors

MULTI-FUNCTIONAL BUCKET GRAB FOR COMPACT TRACTORS

- Makes the most out of your compact tractor.
- Available with accessories such as clamp edge and bolt on gables.

| MULTIGRAB C | 120 CS | 120 C | 140 C | 170 C* |
|--------------------------|--------|-------|-------|--------|
| Width, cm | 121 | 121 | 137 | 170 |
| Depth (max. inside), cm | 46 | 53 | 53 | 53 |
| Height (max. inside), cm | 45 | 53,6 | 54 | 54 |
| Volume, m ³ | 0,22 | 0,30 | 0,34 | 0,42 |
| Opening Height total, cm | 91 | 107 | 107 | 107 |
| Weight, kg | 90 | 133** | 141** | 161** |

When handling logs or similar objects clamp edge or clamp bar must be assembled to prevent damage to tines.

* Only available with Euro
 ** Euro



Bolted hooks available



Welded hooks available



Accessories available



Max 175 bar hydr. pressure

Available accessories:
 Bolt on clamp edge
 Bolt on side sheets

Multibenne XL

FOR ALLROUND GRABBING AND SCOOPING IN A LARGER FORMAT

- Durable implement with high capacity.
- Conical design for optimum filling and emptying.
- With a bolt on cutting edge.

| MULTIBENNE XL | 190 | 210 | 230 | 250 |
|---|--------|--------|--------|--------|
| Width, cm | 190 | 210 | 230 | 250 |
| Depth, cm | 94,5 | 94,5 | 116,5 | 116,5 |
| Height closed, cm | 104 | 104 | 117 | 117 |
| Height opened, cm | 165 | 165 | 189 | 189 |
| Volume, filled and closed, m ³ | 1,0 | 1,16 | 1,74 | 1,85 |
| Weight without hooks, kg | 615 | 670 | 881 | 932 |
| Cutting edge 3 piece, bolted WxD, mm | 200x20 | 200x20 | 250x25 | 250x25 |



Bolted hooks available



Accessories available



Over 230 bar pressure relief valve needed

Available accessories:
 Bolt on side sheets
 Pressure relief valve
 Load-hold/Pressure relief valve
 Spill guard

Multibenne M+

A HIGHLY VERSATILE BUCKET GRAB FOR FRONT LOADERS, COMPACT WHEEL LOADERS AND UP TO MID-SIZE TELEHANDLERS

- Multi functional implement for silage and manure handling.
- Size and dimensions are ideal for use with front loaders, compact wheel loaders and up to mid-size telehandlers.
- Available with accessories and M16 L BoHs makes this implement available for various material handlers.

| MULTIBENNE M+ | 130 | 150 | 170 | 190 | 210 | 230 | 250 |
|------------------------|------|------|------|------|------|------|------|
| Width, cm | 130 | 150 | 170 | 190 | 210 | 230 | 250 |
| Depth, cm | 80 | 80 | 80 | 80 | 80 | 80 | 80 |
| Number of tines | 7 | 8 | 9 | 10 | 11 | 12 | 13 |
| Volume, m ³ | 0,66 | 0,76 | 0,86 | 0,96 | 1,07 | 1,17 | 1,27 |
| Weight, kg | 280 | 304 | 360 | 386 | 423 | 447 | 477 |



Bolted hooks available



Welded hooks available



Accessories available



Over 210 bar pressure relief valve needed

Available accessories:
 Bolt on side sheets
 Pressure relief valve
 Load-hold/Pressure relief valve

Multibenne S+

A HIGHLY VERSATILE BUCKET GRAB FOR YARD LOADERS AND SMALLER COMPACT WHEEL LOADERS

- Design optimized for yard loaders and compact wheel loaders.
- Handles all types of feed, silage and manure.
- Available with various accessories and BoHs

| MULTIBENNE S+ | 90 | 100 | 120 | 140 | 160 |
|------------------------|------|------|------|------|------|
| Width, cm | 90 | 100 | 120 | 140 | 160 |
| Depth, cm | 86 | 86 | 86 | 86 | 86 |
| Volume, m ³ | 0,38 | 0,43 | 0,52 | 0,62 | 0,71 |
| Number of tines | 5 | 5 | 6 | 7 | 8 |
| Weight, kg | 168 | 176 | 224 | 274 | 298 |



Bolted hooks available



Accessories available



Max pressure 210 bar

Available accessories:
 Bolt on side sheets
 Cutting edge HB500
 Cutting edge plastic
 Cutting edge serrated

Multigrab C Video!



Action Video!



Silograb XL

GRABBING SOFT MATERIAL ON A LARGER SCALE

- Large heavy design.
- Welded sleeves and forged tines.
- Heavy duty implement with a long service life.

| SILOGRAB XL | 190 | 210 | 230 | 250 |
|-----------------------------------|-----|-----|-----|-----|
| Width, cm | 190 | 210 | 230 | 250 |
| Depth, cm | 120 | 120 | 140 | 140 |
| Volume, m ³ | 1.0 | 1.1 | 1.7 | 1.9 |
| Height closed, cm | 104 | 104 | 190 | 190 |
| Height open, cm | 163 | 163 | 190 | 190 |
| Number of tines | 10 | 11 | 12 | 13 |
| Weight without hooks, F-tines, kg | 619 | 667 | 851 | 900 |
| Weight without hooks, P-tines, kg | 560 | 600 | 750 | 800 |



Bolted hooks available



Accessories available



Over 230 bar Pressure relief valve needed

Available accessories:
Cover for see through holes
Spill guard
Pressure relief valve
Load-hold/Pressure relief valve
P = profile tines welded
F = forged tines cone 2 bolted

Silograb M+

A HIGHLY VERSATILE FORK GRAB FOR FRONT LOADERS, COMPACT WHEEL LOADERS AND UP TO MID-SIZE TELEHANDLERS

- Implement perfect for silage and manure handling.
- Size and dimensions are ideal for use with front end loaders, and compact wheel loaders.
- Available with M16 L BoHs allowing this implement to be used by many material handlers.

| SILOGRAB M+ | 130 | 150 | 170 | 190 | 210 | 230 | 250 |
|------------------------|------|------|------|-------|-------|-------|-------|
| Width, cm | 130 | 150 | 170 | 190 | 210 | 230 | 250 |
| Depth, cm | 85 | 85 | 85 | 85 | 85 | 85 | 85 |
| Volume, m ³ | 0,69 | 0,79 | 0,90 | 1,01 | 1,11 | 1,22 | 1,33 |
| Number of tines | 7+7 | 8+8 | 9+9 | 10+10 | 11+11 | 12+12 | 13+13 |
| Weight, kg | 250 | 270 | 300 | 320 | 355 | 377 | 405 |



Bolted hooks available



Welded hooks available



Accessories available



Over 210 bar Pressure relief valve needed

Available accessories:
Pressure relief valve
Load-hold/Pressure relief valve

Silograb S+

A HIGHLY VERSATILE FORK GRAB FOR YARD LOADERS AND SMALLER COMPACT WHEEL LOADERS

- Design optimized for yard loaders and compact wheel loaders.
- Excellent penetration into both silage and manure.
- Available with Bolt On Hooks.

| SILOGRAB S+ | 90 | 110 | 130 | 150 |
|------------------------|------|------|------|------|
| Width, cm | 95 | 115 | 135 | 155 |
| Depth, cm | 87,5 | 87,5 | 87,5 | 87,5 |
| Volume, m ³ | 0,43 | 0,52 | 0,62 | 0,71 |
| Number of tines | 5+5 | 6+6 | 7+7 | 8+8 |
| Weight*, kg | 165 | 213 | 245 | 277 |

* without Bolt on Hooks



Bolted hooks available



Max pressure 210 bar

Action Video!



Manure Fork XL

FOR HANDLING OF MANURE AND OTHER SOFT MATERIALS FOR LARGER MACHINES

- Large heavy design.
- Welded sleeves and forged tines.
- Heavy duty implement with a long service life.

| MANURE FORK XL | 190 | 210 | 230 | 250 |
|------------------------------|-----|-----|------|------|
| Width, cm | 187 | 209 | 229 | 249 |
| Depth, cm | 85 | 85 | 111 | 111 |
| Number of tines, mm | 10 | 11 | 12 | 13 |
| Length of tines, Konus 2, mm | 995 | 985 | 1240 | 1240 |
| Weight, kg | 324 | 353 | 458 | 488 |



Bolted hooks available



Accessories available

Available accessories:
Cover kit for implement back
Spill guard

Manure Fork Range!



Manure Fork M+

SIMPLE HANDLING OF MANURE FOR FRONT END LOADERS, SMALL TO MID TELEHANDLERS AND COMPACT WHEEL LOADERS

- Simple and effective handling of manure and other soft materials.
- Ideal for use with front end loaders, and compact wheel loaders.
- M16 BoH prepared.

| MANURE FORK M+ | 130 | 150 | 170 | 190 | 230 |
|-------------------------|-----|-----|-----|-----|-----|
| Width, cm | 130 | 150 | 170 | 190 | 230 |
| Depth, cm | 85 | 85 | 85 | 85 | 85 |
| Number of tines, 820 mm | 7 | 8 | 9 | 10 | 12 |
| Weight, kg | 123 | 136 | 152 | 165 | 203 |



Bolted hooks available



Welded hooks available



WE'VE GOT SPARE PARTS CLOSE BY EVEN WHEN YOU'RE FAR AWAY

Spare parts are available for everything from the biggest to the tiniest detail on the implement, and we've got them close by. Our world-leading distribution network guarantees proximity to you, no matter where you are.

All you need to do is contact your local dealer.

Original Parts by Quicke



BALE HANDLING

Our wide selection of bale handling equipment simplifies your work and makes you more productive. We offer a number of different tools for handling bales in different ways. You might want an implement that can handle both square and round bales or an implement that handles bales from the bottom and can deal with plastic bales as well as hay bales. Or why not an implement that splits bales? No matter your preconditions or desires, we have the right tool for you.



ERIC LENNARTSSON
MILK FARMER IN SWEDEN

This is Eric, one of our many test pilots. When we develop new implements, and improve our existing ones, we use farmers all over the world to test and verify the products. That way, we make sure that our products fulfil the needs of our customers on all our markets.

Unigrip™

UNIGRIP HAS WELL PROVEN DESIGN AND A LOW NET WEIGHT

- For low weight and flexibility.
- Arm profile perfectly designed for reaching bales stacked close together.
- No sharp edges, perfect for plastic bales.

| UNIGRIP™ | 130 | 160 |
|---------------------------|----------|-----------|
| Bale size min. – max., cm | 90 – 130 | 120 – 160 |
| Weight, kg | 200 | 240 |



- BoH 40x80 available
- Euro SMS available
- Accessories available
- Over 210 bar Pressure relief valve needed

Available accessories:
Pressure relief valve
Load-hold/Pressure relief valve

Flexigrip™

FLEXIGRIP IS A HEAVY DUTY IMPLEMENT WITH SOME HELPFUL FEATURES

- Perfect for stacking upright bales.
- Uniquely curved and rounded shapes.
- 90 mm tubes.

| FLEXIGRIP™ | 160 | 200 |
|---------------------------|-----------|-----------|
| Bale size min. – max., cm | 120 – 160 | 150 – 200 |
| Weight, kg | 262 | 287 |



- BoH 80x80 available
- Euro SMS available
- Accessories available
- Over 210 bar Pressure relief valve needed

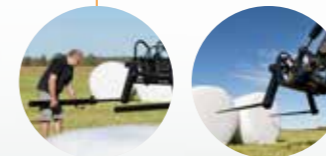
Available accessories:
Pressure relief valve
Load-hold/Pressure relief valve
Back stop

Flexibal®

FLEXIBAL IS A STRONG AND VERY FLEXIBLE IMPLEMENT

- With small or larger diameter rollers.
- Doubles as a bale fork when rollers are removed.
- Minimising risk of damage.

| FLEXIBAL | 89 MM PIPE PROFILE | 127 MM PIPE PROFILE |
|------------------------|--------------------|---------------------|
| Bale size min-max., cm | 120-180 | 120-180 |
| Weight, kg | 195 | 195 |



- BoH 40x80 available
- Euro SMS available
- Accessories available
- Over 210 bar Pressure relief valve needed

Available accessories:
Pressure relief valve
Load-hold/Pressure relief valve

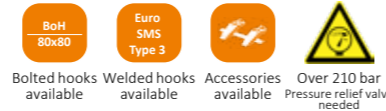


Quadrogrip TS®

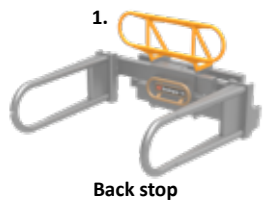
THE BEST IMPLEMENT ON THE MARKET FOR HANDLING SQUARE AND ROUND BALES. TELESCOPIC DESIGN REDUCES SPACE NEEDED FOR HANDLING AND STACKING BALES

- Ideal for square bales in most sizes.
- Telescopic design makes it perfect in narrow spaces.
- Available with various accessories, e.g. back stop and load holding valve.

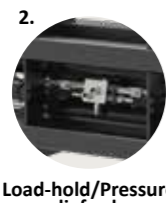
| QUADROGRIP TS | 135CM ARMS | 160CM ARMS |
|--------------------------|------------|------------|
| Height, cm | 53,5 | 53,5 |
| Bale size, max., cm | 200 | 200 |
| Bale size, min., cm | 60 | 60 |
| Width fully closed, cm | 175 | 175 |
| Width fully extended, cm | 251 | 251 |
| Depth total, cm | 180 | 205 |
| Weight, kg | 420 | 428 |
| Carrying capacity, kg | 1500 | 1500 |



Available accessories:
 Back stop (1.)
 Pressure relief valve
 Load-hold/Pressure relief valve (2.)
 Flow divider (3.)*
 * Synchronised arm movement



1. Back stop



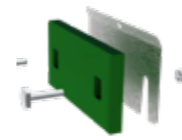
2. Load-hold/Pressure relief valve



2. + 3. 2. & flow divider



Shims in stainless steel in thickness 0,5mm and 0,7mm to minimize gap between plastic and arm.



Plastic Ertalon LFX wear pad, self lubricating nylon plastic with improved wear resistance.



Topgrip

TOPGRIP PROPOSES A UNIQUE WAY OF HANDLING ROUND OR SQUARE BALES

- For round and square bales.
- No sharp edges, perfect for plastic bales.
- For re-handling bales that are stacked closely together.

| TOPGRIP | 120 |
|---------------------------|-----------|
| Bale size min. – max., cm | 100 – 150 |
| Weight, kg | 195 |

Action Video!



Available accessories:
 Pressure relief valve
 Load-hold/Pressure relief valve

BALE FORKS

Our wide selection of bale handling equipment simplifies your work and makes you more productive. We offer a number of different tools for handling bales in different ways. No matter your preconditions or desires, we have the right tool for you.

SELECT THE BEST EQUIPMENT

Our implements for bales are characterised by heavy-duty bearings in the implement arms, large gripping surfaces that distribute the pressure optimally as well as no sharp edges. We accept no compromise – quality must come first.

www.quicke.nu



HENRIK JÖNSSON
 PRODUCT MANAGER IMPLEMENTS

As the responsible product manager for implement development I am always looking for ways to improve our bale handling equipment, to help our customers on their farms in the best possible way. This we assure through intensive field testing before our products are being launched on the market.

Bale Fork XL+ 200

FOR TRUE PROFESSIONAL USERS PROVIDING HIGHEST BALE CARRYING CAPACITY

- The professionals choice with highest capacity.
- Available with many accessories to further increase your productivity.
- Perfect for telehandlers and wheel loaders.

| BALE FORK XL+ 200 | 200 |
|--|---------|
| Width, cm | 200 |
| Height, cm | 176 |
| Max. height with extensions/top beam, cm | 187/295 |
| Max. load capacity, kg | 2500 |
| No. of tines, Konus 2 | Up to 5 |
| Weight*, kg | 157 |

* Weight without tines

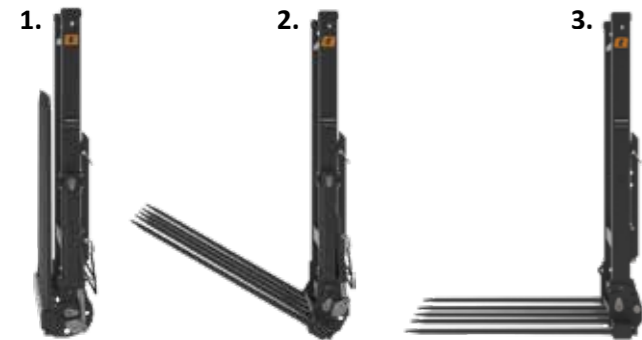


Bolted hooks available



Accessories available

Available accessories:
 Extension beams
 Top beam
 Hydraulic control of foldable tines
 Supporting tines to main frame
 Top grab (Requires extension beams)



Bale Fork XL+ 200 has three settings:
 1. Transport, tines locked in parallel with back frame.
 2. Free floating within slotted hole.
 3. Parking, tines locked 90° towards back frame.

Available tine sets:
 Tine set 2 pieces: 82 cm / 124 cm
 Tine set 3 pieces: 82 cm / 124 cm
 Tine set 4 pieces: 82 cm / 124 cm
 Tine set 5 pieces: 82 cm / 124 cm



Top grab has large working angle increasing its use. Since Top grab tines are curved they secure the stack of bales also when coming from the back.

Extension beams are required in order to use the Top grab accessory.

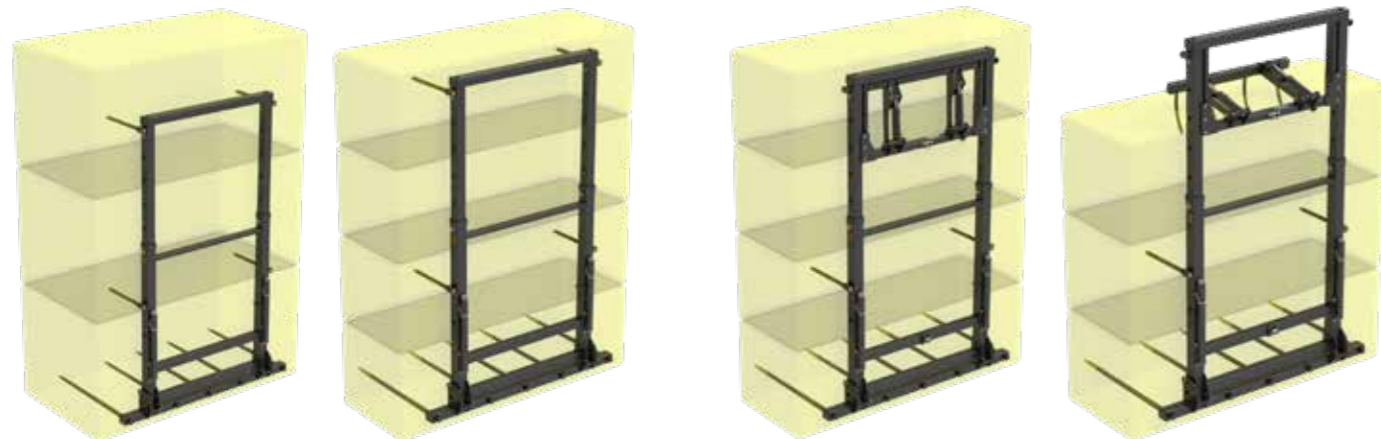
Thanks to the integrated design it works perfect also inside the bale shed. Top grab require extension beams and secures the stack of bales by pressing the upper bale downwards. This feature allows more safe and faster transport on the field to increase productivity.

Top grab can be adjusted in height depending on requested bale stack height and can be used to both penetrate bale from above or from the back.



Without hydraulic top grab

With hydraulic top grab



Bale Fork Range!



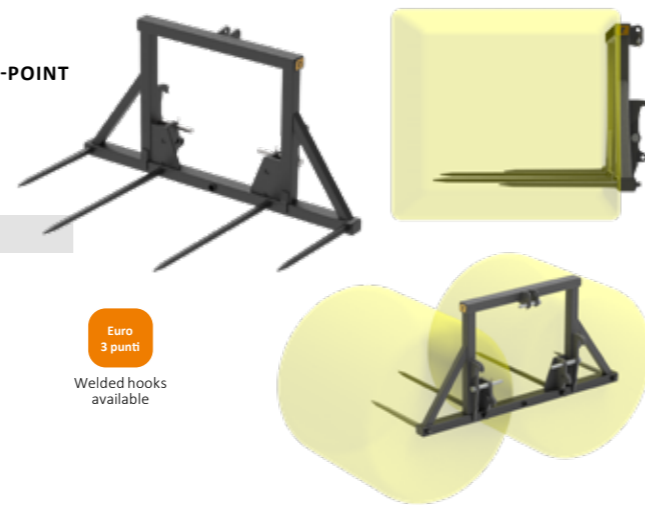
Bale Fork L 200

BALE FORK WITH HIGH CAPACITY IDEAL TO MOUNT EITHER ON FRONT- OR REAR 3-POINT HITCH, OR WHY NOT BOTH!

- Robust wide frame.
- Can be used for both round and square bales.
- Allows mounting to the tractors front and rear hitch of tractor as well to front loaders.

| BALE FORK L 200 | 200 |
|------------------------|---------|
| Width, cm | 200 |
| Height, cm | 102 |
| Max. load capacity, kg | 2500 |
| No. of tines, Cone 2 | Up to 5 |
| Weight*, kg | 170 |

Available tine sets:
 Tine set 2 pieces: 82 cm / 124 cm Tine set 4 pieces: 82 cm / 124 cm
 Tine set 3 pieces: 82 cm / 124 cm Tine set 5 pieces: 82 cm / 124 cm



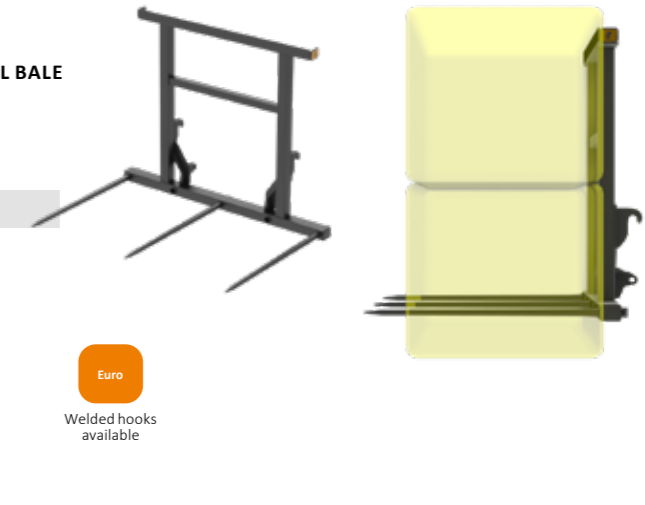
Bale Fork M 180

BALE FORK WITH HIGHER CAPACITY AND WITH SUPPORT TO STACK AN ADDITIONAL BALE

- Wide frame with up to five Q-tines.
- High back frame provides stability for second bale.
- Welded Euro hooks makes it perfect for front loaders.

| BALE FORK M 180 | 180 |
|------------------------|---------|
| Width, cm | 180 |
| Height, cm | 140 |
| Max. load capacity, kg | 2000 |
| No. of tines, Cone 2 | Up to 5 |
| Weight*, kg | 135 |

Available tine sets:
 Tine set 2 pieces: 82 cm / 124 cm Tine set 4 pieces: 82 cm / 124 cm
 Tine set 3 pieces: 82 cm / 124 cm Tine set 5 pieces: 82 cm / 124 cm



Bale Fork L+ 150 (fixed tines)

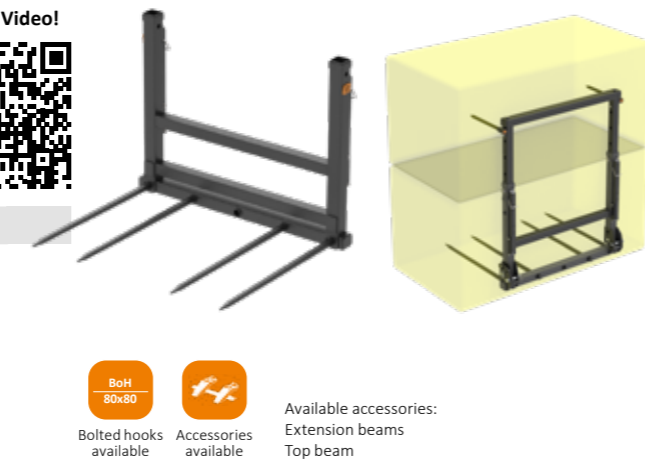
BALE FORK FOR THE FARMER WITH HIGH DEMAND ON EFFICIENCY

- High capacity bale fork with fixed tines.
- Available with accessories to further increase your productivity.
- Ideal for large front loaders, telehandlers and wheel loaders.

| BALE FORK L+ 150 (FIXED TINES) | 150 |
|--|---------|
| Width, cm | 152,5 |
| Height, cm | 116,5 |
| Max. height with extensions/top beam, cm | 176/184 |
| Max. load capacity, kg | 2000 |
| No. of tines, Cone 2 | Up to 5 |
| Weight*, kg | 98,5 |

Available tine sets:
 Tine set 2 pieces: 82 cm / 124 cm Tine set 4 pieces: 82 cm / 124 cm
 Tine set 3 pieces: 82 cm / 124 cm Tine set 5 pieces: 82 cm / 124 cm

Action Video!



Available accessories:
 Extension beams
 Top beam

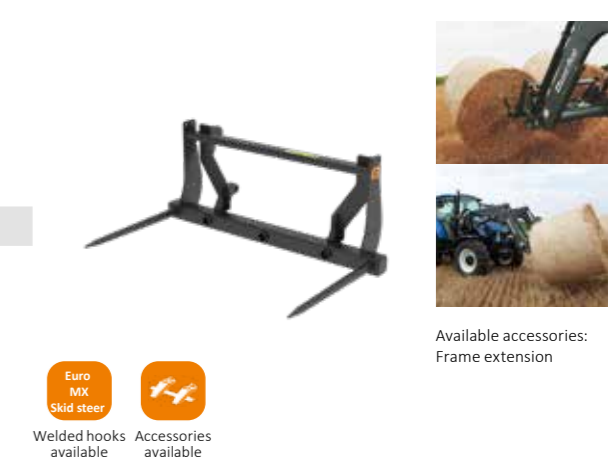
Bale Fork M 140

THE SIMPLE WAY OF HANDLING SQUARE AND ROUND BALES

- For transporting straw and hay bales.
- Can carry up to two bales.

| BALE FORK M 140 | 140 |
|------------------------|---------|
| Width, cm | 140 |
| Max. load capacity, kg | 1500 |
| No. of tines, Konus 2 | Up to 5 |
| Weight, kg | 78 |

Available tine sets:
 Tine set 2 pieces: 82 cm / 124 cm Tine set 4 pieces: 82 cm / 124 cm
 Tine set 3 pieces: 82 cm / 124 cm Tine set 5 pieces: 82 cm / 124 cm



Available accessories:
 Frame extension

Bale Fork L+ 150 (folded tines)

BALE FORK FOR THE FARMER WITH HIGH DEMAND ON EFFICIENCY

- High capacity Bale fork with foldable tines.
- Available with accessories to further increase your productivity.
- Ideal for large front loaders, Telehandlers and Wheel loaders.

| BALE FORK L+ 150 (FOLDED TINES) | 150 |
|--|---------|
| Width, cm | 152,5 |
| Height, cm | 116,5 |
| Max. height with extensions/top beam, cm | 176/184 |
| Max. load capacity, kg | 2000 |
| No. of tines, Cone 2 | Up to 5 |
| Weight*, kg | 122 |

Available tine sets:
 Tine set 2 pieces: 82 cm / 124 cm Tine set 4 pieces: 82 cm / 124 cm
 Tine set 3 pieces: 82 cm / 124 cm Tine set 5 pieces: 82 cm / 124 cm



Available accessories:
 Extension beams
 Top beam
 Hydraulic control of foldable tines

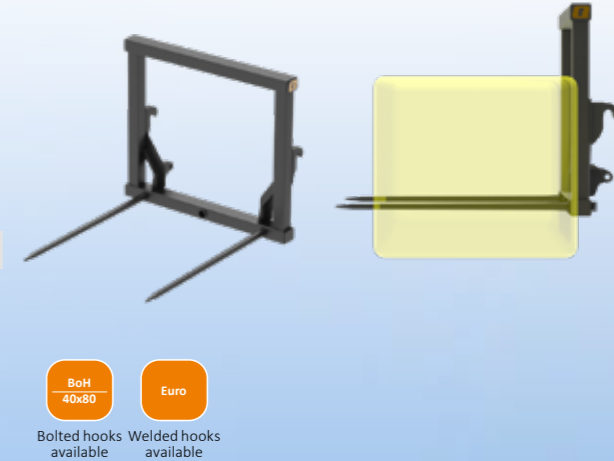
Bale Fork S+ 115

BALE FORK IDEAL FOR LIGHTER MATERIAL HANDLERS AND THANKS TO NARROW WIDTH ALSO SUITABLE INSIDE STABLES

- Simple and robust.
- Well suited for yard loaders and smaller front end loaders.
- Chose up to three Q-tines in different lengths.

| BALE FORK S+ 115 | 115 |
|------------------------|---------|
| Width, cm | 115 |
| Height, cm | 100 |
| Max. load capacity, kg | 1000 |
| No. of tines, Cone 2 | Up to 3 |
| Weight*, kg | 98,5 |

Available tine sets:
 Tine set 2 pieces: 82 cm / 124 cm
 Tine set 3 pieces: 82 cm / 124 cm



* Weight without tines

* Weight without tines

Bale Spike

THE SIMPLE AND CLASSIC WAY TO HANDLE ROUND BALES

- To handle round bales.
- Longer tine to safely transport the bale.
- Shorter tines stops bale from rotating.

BALES SPIKE

| | |
|------------------|-----|
| Width, cm | 127 |
| Tines length, cm | 125 |
| Weight, kg | 60 |



BoH
40x80

Euro
Skid steer

Bolted hooks available Welded hooks available

Silosplit®

SPLITS AND TRANSPORTS BALES

- Easiest way of cutting bales.
- Can transport and split bales.
- Doubles as a bale spike.

SILOSPPLIT

| | |
|-------------------|-----|
| Width, cm | 120 |
| Cutter length, cm | 170 |
| Weight, kg | 110 |



BoH
40x80

Bolted hooks available



LIFTING IMPLEMENTS

Pallet forks and big bag lifters, with plenty of accessories to meet your specific needs and tasks. When you choose lifting implements from Quicke, you choose maximum productivity and comfort.



LARS JOHANSSON
MECHANICAL DESIGNER

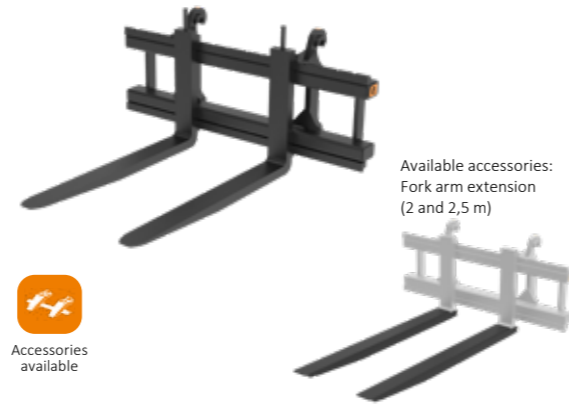
As the responsible designer for hook systems and also heavily involved in other projects, like the lifting implements, I am always looking for ways to improve our line of implements and fulfil the needs of our customers - the farmers. It is important that we stay close and connected to them, to make sure we provide them with ways to work smarter, not harder.

Pallet Fork XL [CAPACITY 8000 KG; FRAME WIDTH 200 CM]

PALLET FORK XL IS THE PERFECT CHOICE FOR HEAVY LOADS

- For heavy load applications.
- 2 meter wide frame to support various types of material handling.
- Available with fork extensions.

| PALLET FORK XL | | |
|--------------------------------|--------|--------|
| Frame width (Type FEM III), cm | 200 | |
| Fork arms (Type FEM III A), kg | 8000 | |
| Length, cm | 122 | 150 |
| Dimension of fork arms, mm | 150x65 | 150x65 |
| Weight (differ by hook), kg | 532 | 576 |
| ACCESSORIES: | | |
| Fork arm extension, cm | <200 | <250 |



Available accessories:
Fork arm extension
(2 and 2,5 m)



Accessories available

Available hooks for Pallet fork XL:
VOLVO BM Large, JCB Q-FIT, Claas Scorpion, Manitou MLT, Merlo ZM3 3Pin

Pallet Fork S [CAPACITY UP TO 2500 KG; FRAME WIDTH 100/120 CM]

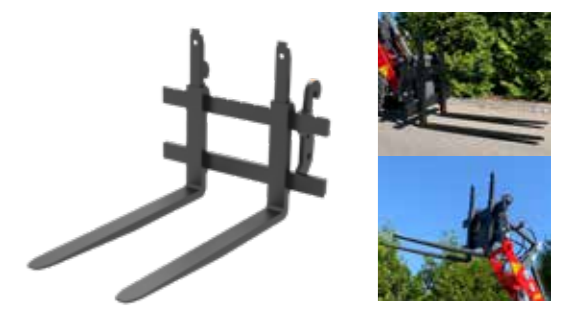
PALLET FORK S IDEAL FOR YARD/COMPACT LOADER

- Narrow design for easy access in limited spaces.
- See through design for full control of your work.
- Available with the most common hook types.

| PALLET FORK S | | | | | |
|-------------------------------|---------|-------|-------|-------|--------|
| Frame width (Type FEM II), cm | 100/120 | | | | |
| Fork arms (Type FEM II B), kg | 1000 | 1600 | | | 2500 |
| Length, cm | 97 | 122 | 97 | 122 | 122 |
| Dimension of fork arms, mm | 80x32 | 80x32 | 80x40 | 80x40 | 100x40 |
| Weight (differ by hook), kg | 112 | 122 | 130 | 136 | 157 |

Available hooks for Pallet fork S frame 100 cm width:
SMS, Avant, Giant, Kramer Compact, Weidemann, Schäffer Standard (SHW), Schäffer Hoftrack, Zettelmeyer 402/Volvo L20

Available hooks for Pallet fork S frame 120 cm width: Euro



Available accessories:
Bale spike



Accessories available

Action Video!

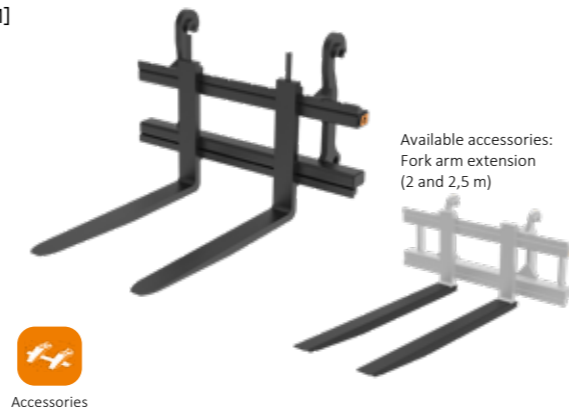


Pallet Fork L [CAPACITY 5000/3500 KG; FRAME WIDTH 150/120 CM]

PALLET FORK L IS IDEAL FOR TELEHANDLERS AND WHEEL LOADERS

- For heavy load applications.
- 1,2 and 1,5 meter frame width makes it perfect regardless machine type.
- Available with fork extensions.

| PALLET FORK L | | | | |
|--------------------------------|--------|--------|--------|--------|
| Frame width (Type FEM III), cm | 120 | 150 | 120 | 150 |
| Fork arms (Type FEM III B), kg | 3500 | 3500 | 5000 | 5000 |
| Length, cm | 122 | 150 | 122 | 150 |
| Dimension of fork arms, mm | 125x45 | 125x45 | 150x50 | 150x50 |
| Weight (differ by hook), kg | 278 | 304 | 333 | 363 |
| ACCESSORIES: | | | | |
| Fork arm extension, cm | <200 | <250 | <200 | <250 |



Available accessories:
Fork arm extension
(2 and 2,5 m)



Accessories available

Available hooks for Pallet fork L:
Bobcat / FDI / MF, Caterpillar CAT TH, Claas Scorpion, CNH LM, Dieci medium, Dieci large, Euro, JCB Q-Fit, JLG / Deutz Fahr, Kramer High, Manitou MLT, Matbro Pin and Cone, Merlo ZM2, Merlo, Merlo ZM3 3PIN, Schäffer Standard (SHW), Schäffer HD (Type KR), Volvo BM large, Weidemann, Weidemann 50-50, Zettelmeyer 602/Volvo L30, Sennebogen/Fendt



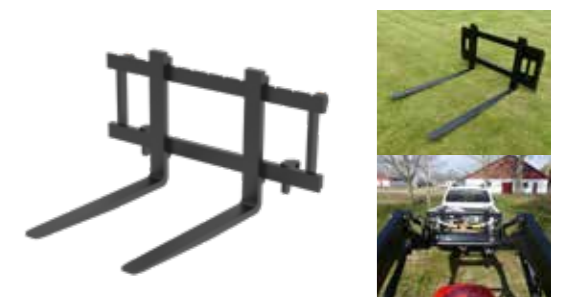
Pallet Fork C [CAPACITY UP TO 800 KG; FRAME WIDTH 115,4 CM]

PALLET FORK C FOR COMPACT TRACTOR LOADERS

- Designed with low weight and capacity perfected for compact tractor loaders.
- See through design for full control of your work.
- Available with Euro and Skid steer.

| PALLET FORK C | | |
|-------------------------------|-------|-------|
| Frame width (Type FEM II), cm | 115,4 | |
| Fork arms (Type FEM II B), kg | 800 | |
| Length, cm | 80 | 106 |
| Dimension of fork arms, mm | 80x32 | 80x32 |
| Weight (differ by hook), kg | 97 | 107 |

Available hooks for Pallet fork C frame 115 cm width:
Euro, Skid steer, Pin on (only for Quicke C-Series loader)



Available accessories:
Bale spike



Accessories available

Action Video!



Pallet Fork M [CAPACITY UP TO 2500 KG; FRAME WIDTH 140 CM]

PALLET FORK M IDEAL FOR FRONT END LOADERS AND COMPACT WHEEL LOADERS

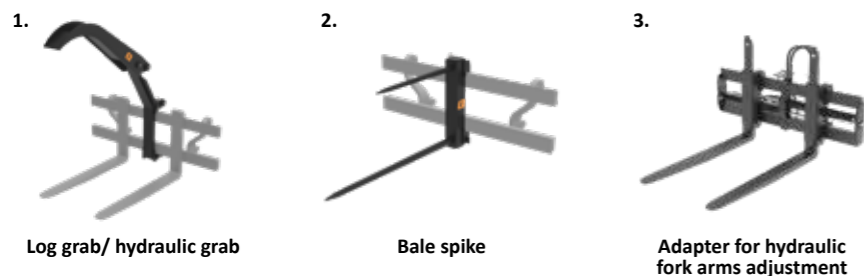
- 1,4 m wide frame makes it versatile in various AG tasks.
- See through design for full control of your work.
- Available with various accessories to increase use further.

| PALLET FORK M | | | | | |
|-------------------------------|-------|-------|-------|-------|--------|
| Frame width (Type FEM II), cm | 140 | | | | |
| Fork arms (Type FEM II B), kg | 1000 | 1600 | | | 2500 |
| Length, cm | 97 | 122 | 97 | 122 | 122 |
| Dimension of fork arms, mm | 80x32 | 80x32 | 80x40 | 80x40 | 100x40 |
| Weight (differ by hook), kg | 157 | 167 | 169 | 181 | 202 |



Accessories available

Available accessories:
Log grab / hydraulic grab (1.)
Bale spike (2.)
Adapter for hydraulic fork arms adjustment (3.)





Explanation Video!



Big Bag Lifter

FOR SECURE HANDLING OF BIG BAGS

- Three different models; single, dual and triple.
- For all big bag handling scenarios.
- Bolted hooks add flexibility.

| BIG BAG LIFTER | SINGLE* | DUAL** | TRIPLE** |
|--------------------------|---------|--------|----------|
| Width, cm | 127 | 213 | 278 |
| Height min., cm | 164 | 170 | 170 |
| Height max., cm | 164 | 221 | 221 |
| Max. load (each arm), kg | 1000 | 1500 | 1500 |
| Weight, kg | 79 | 177 | 269 |

*Big Bag Lifter single with BOH system 40x80

**Big Bag Lifter DUAL, TRIPLE with BOH system 80x80



Bolted hooks available



Bolted hooks available

Q-Bloq Counterweight

IMPROVE THE STABILITY OF YOUR TRACTOR

- Helps to improve stability and the distribution of weight.
- Possible to fit to both the rear and front hitch of tractors.
- The add on weight is secured by a locking bolt.

| Q-BLOQ COUNTERWEIGHT | 600 | 600 (ADD-ON) | 900 | 1800 |
|----------------------|-----|--------------|-----|------|
| Weight, kg | 600 | 600 | 900 | 1800 |



Q-Bloq 600 kg Add-on



Q-Bloq 600 kg



Q-Bloq 900 kg



Q-Bloq 1800 kg

Regulation – EN 12525:

No less than 20% of the gross tractor/loader weight must apply to the rear axle, including the counterweight.



Available in Quicke black with Q logo in orange, AGCO grey, John Deere green.

Tool Carrier Adaptor with Bolt on Hooks

SIMPLIFY YOUR WORK WHILE MOVING IMPLEMENTS AROUND THE FARM

- Flexible tool carrier adaptor.
- Adapts to all attachment types available in Quicke's 40x80 Bolt on Hook system.
- Fits to Euro on the implement side.



Bolted hooks available



Fixed Tool Carrier Adaptors

[LOADER SIDE/ IMPLEMENT SIDE]

- Adaptor 3PL/ Euro
- Adaptor 3PL/ SMS
- Adaptor Euro/ Skid Steer
- Adaptor Euro/ Valtra
- Adaptor Euro/ SMS
- Adaptor Euro/ ALO type 3
- Adaptor SMS/ ALO type 3



WE'VE GOT SPARE PARTS CLOSE BY EVEN WHEN YOU'RE FAR AWAY

Spare parts are available for everything from the biggest to the tiniest detail on the implement, and we've got them close by. Our world-leading distribution network guarantees proximity to you, no matter where you are.

All you need to do is contact your local dealer.

www.quicke.nu

Original Parts by Quicke



Counterweight

IMPROVE THE STABILITY OF YOUR TRACTOR

- Connection and disconnection is simply done.
- Improves stability and the distribution of weight.
- Lower the loads on front wheels and axle.

| COUNTERWEIGHT | 800 | 1200 |
|-------------------|-----|------|
| Weight, empty, kg | 186 | 212 |
| Weight filled, kg | 800 | 1200 |



STEFFEN STENGL

SALES COORDINATOR ÄLÖ GERMANY

The Quicke counterweights are an extremely useful piece of equipment to properly ballast your machine to maintain weight on the tractor's rear axle. The counterweight increases the stability for the tractor-loader unit.



THE SUPPORT

As an Quicke Implement owner, you can expect world-leading level of reliability and service. Your purchase does not end our commitment to you – it's only the beginning.

Your implement has to perform at its best for a long time. We have built up a strong global organisation with a comprehensive service network, giving you easy and fast access to locations for service, spare parts and knowledgeable support- wherever you operate in the world.

You can be sure that our service and support meets the same standard as our products – always aiming for 100 percent customer satisfaction. To us, second best is not enough.

ABSOLUTE CUSTOMER FOCUS. In order to support you as a customer, we have created routines that ensure all the departments in our organisation are focused on your requirements.

QUICK ONLINE HELP. You'll have round-the-clock online access to spare part details, instructions and other important information.

TIGHT-KNIT SPARE PART NETWORK. Spare parts are available from our subsidiaries as well as from larger Quicke implement representatives world-wide.

PROXIMITY. Our world-leading distribution network guarantees proximity to you, no matter where you are.

GLOBAL TECHNICAL SUPPORT. As an Quicke Implement customer, you always have access to prompt technical support. All over the world, our representatives can provide knowledgeable and high-quality service.



CONSTANT FOLLOW-UP. Your viewpoints and suggestions for improvement are gathered together and centrally processed. This follow-up functions as a valuable basis for us when developing implements. The development of Quicke Implement is the result of close cooperation with users all over the world.

HOOK SYSTEMS

A VARIETY OF HOOK SYSTEMS FOR ANY MATERIAL HANDLER

Our implements can be used with a variety of hooks to attach them to different loading machines. The angle of the back of the implement and the working geometry of the loader influence the design of the hooks. We use the following systems:

- **M24:** The hooks are welded on plates that are bolted to the back of the implement with 18 to 20 M24 bolts. These are used on the L and XL implement range.
- **M16 S/L:** The hooks are welded on plates that are bolted to the back of the implement with 8 to 16 M16 bolts. These are used on the S and M implement range.
- **80x80 XL:** With U-bolts mounted at the back of the implement.
- **80x80:** With U-bolts or HD bolt kits mounted at the back of the implement.
- **60x80:** With U-bolts or HD bolt kits mounted at the back of the implement.
- **40x80:** With U-bolts or HD bolt kits mounted at the back of the implement.
- **Rail S/L:** The implement has a rail section at the back plane on which the hooks are bolted.
- **Welded hooks.**



40x80/80x80



Bale Spike
Big Bag Lifter
Flexibal
Flexigrip
Quadrogrip
Silocut M+ / L+
Silosplit
Bale Fork S+/L+/XL+
Stone Fork M+
Topgrip
Unigrip
Bucket XH M+

RAIL S/RAIL L



Manure Fork XL
Multibenne XL
Silograb XL

80x80 XL



Silocut XL+
Stone Fork XL+

M24



Bucket SXL+
Bucket SL+
Bucket GXL+
Bucket GL+
Bucket VXL+
Bucket VL+
Powergrab L+ / XL+

M16 S/L



Bucket SM+
Bucket GM+
Bucket GS+
Bucket VS+
Bucket SC M+
Multibenne S+ / M+
Silograb S+ / M+
Manure Fork M+
Powergrab M+
Multigrab M+


At all times Quicke will strive to optimise our implements to give highest possible productivity on as many loading machines possible. Whether it's a small yard loader or a large agricultural wheel loader, our commitment to provide you with the most efficient implement stays the same.

Quicke's modular Bolt on Hook systems are designed to provide highest level of flexibility and best possible working angles for the implement.

Nevertheless, risk for collisions cannot always be avoided and Quicke cannot be held liable for any damages caused by failure to operate the implement in such way where damage is avoided. Please get in contact with your local dealer or Quicke representative in case of any questions.





 Sillograb® S+

Quicke

Member of JOST Agriculture

At all times Quicke will strive to optimise our implements to give highest possible productivity on as many loading machines possible. Whether it's a small yard loader or a large agricultural wheel loader, our commitment to provide you with the most efficient implement stays the same.

Quicke's modular Bolt on Hook systems are designed to provide highest level of flexibility and best possible working angles for the implement.

Nevertheless, risk for collisions cannot always be avoided and Quicke cannot be held liable for any damages caused by failure to operate the implement in such way where damage is avoided. Please get in contact with your local dealer or Quicke representative in case of any questions.

Ålö AB

Brännland 300, SE-901 37 Umeå, Sweden

Tel: +46 (0)90 17 05 00

marketing@alo.se

www.quicke.nu

Version May 2023

CLIMATE
COMPENSATED
PAPER



Some products in this brochure are fitted with extra equipment. Certain products may be optional extra equipment. Some of the products are not available on all markets. Product specifications and performance data stated can vary depending on the tractor model. Working with front loaders and accompanying implements is not without risk. Serious injuries to people and damage to materials can occur in the event of incorrectly carried out work. Show consideration to your surroundings, use common sense and comply with local laws and regulations. Always read carefully through the instruction manual supplied. Only use original spare parts and accessories. Quicke's product range is continually being developed. This brochure contains most of the products that are in production at the time the brochure is printed. We reserve the right at any time to alter specifications, prices and versions with no obligation on our part. ®, ™ Trademarks of Ålö AB.